



Bamboo Pocket Door Lock Set

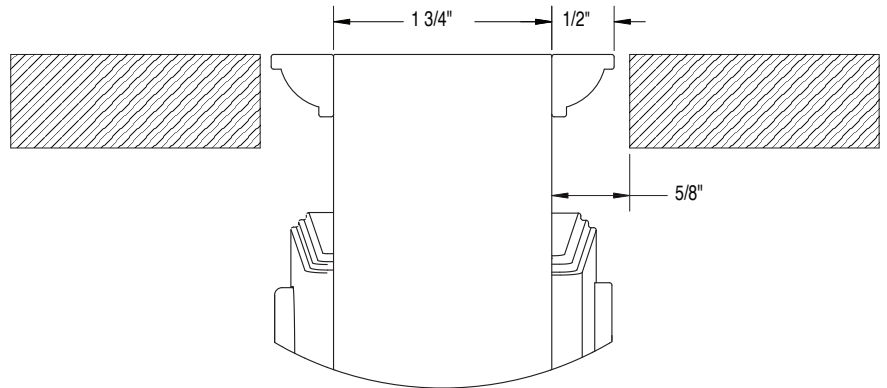
* Bamboo Pocket Door Trim is Made to Order

8284690	Bamboo Pocket Door Lock, Latching Passage Function, Thumb Turn Both Sides
8284691	Bamboo Pocket Door Lock, Privacy Function, Thumb Turn x Emergency Release
8284693	Bamboo Pocket Door Lock, Single Cylinder Thumb Turn x Keyed
8284694	Bamboo Pocket Door Lock, Double Cylinder, Cylinder x Cylinder
8284692	Bamboo Pocket Door Lock, Bit Key Function, Bit Key x Bit Key
8284695	Bamboo Pocket Door Lock, For Use as Strike and Edge Pull on 2nd Door Leaf.
8284696	Bamboo Pocket Door Lock, Patio Function, Thumbturn x Blank Plate
8284697	Bamboo Pocket Door Lock, Edge Pull Set, Non Latching

- Highly Detailed Bamboo Design with Band around edge and Intricate

Detail in Field

- Solid Forged Brass Plate
- Solid Forged Brass Finger Pull
- Hand Polished
- Plates available in Five Options:
 - Drop Ring
 - ER Button
 - Cut for Cylinder
 - Bit Key
 - Blank



- Suited Pocket Door Hardware is Made-to-Order, Non cancelable once ordered, and Non-Returnable
- Plates are Surface Mounted
- Minimum Door Thickness 1 3/4"
- Requires 1/2" to 5/8" of clearance at the pocket.

