



Beaded Narrow Multi-Point Trim - European Profile Cylinder

*Multi-Point Trim is Made-to-Order

71701N Beaded Narrow Profile Cylinder Multi Point Active Function

71702N Beaded Narrow Profile Cylinder Multi Point Full Dummy

71703N Beaded Narrow Profile Cylinder Multi Point Passage Function

71704N Beaded Narrow Profile Cylinder Multi Point Patio Function

71705N Beaded Narrow Profile Cylinder Multi Point Fixed Exterior/Active Interior

Von Morris Beaded Multi-Point lock trim is Custom Made to Order. Your trim will be crafted to the door specifications/details/measurements you provide.

In classic Von Morris style, paying exacting attention to detail, all Von Morris Escutcheon Plates may be modified to fit a multitude of Multi-Point locks in either Euro Profile Cylinder or American Cylinder.

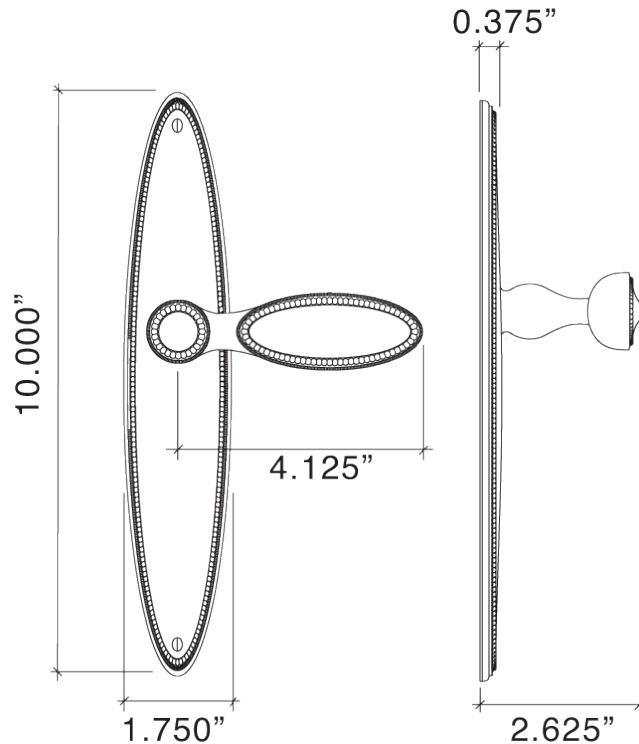
The Von Morris American Cylinder Multi-Point trim is different from other manufacturers. Von Morris has redesigned every aspect of the Multi-Point Trim, including the American Cylinder Mounting Blocks. Instead of one generic block mounted to all styles, each suite gets its own unique suited block. For Profile Cylinder trims, the turn piece mounted to the Profile Cylinder is the same design as the trim.

Von Morris is the only mainline manufacturer to stay true to its suited line, offering the same attention to detail that is available in every Knob, Lever, Rose and Escutcheon Plate. This allows you to complete a full hardware schedule with the same style, detail, quality, and value for which the Von Morris product has come to be known.



Narrow
Euro
Profile
Cylinder
Exterior

Narrow
Euro
Profile
Cylinder
Interior

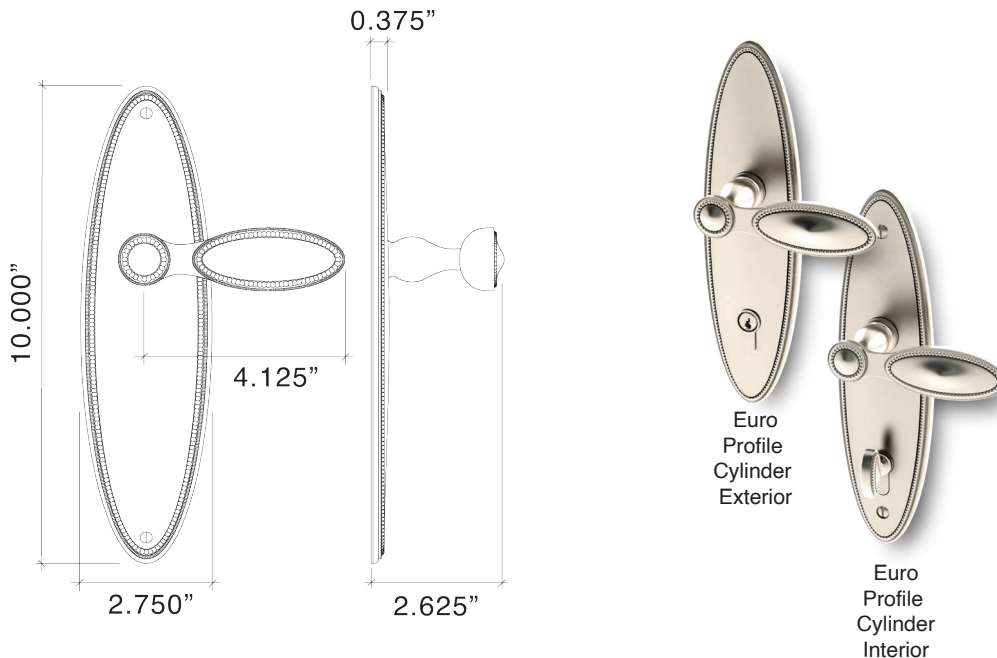




Beaded Multi-Point Trim - Profile Cylinder

*Multi-Point Trim is Made-to-Order

71701	Beaded Profile Cylinder Multi Point Active Function
71702	Beaded Profile Cylinder Multi Point Full Dummy
71703	Beaded Profile Cylinder Multi Point Passage Function
71704	Beaded Profile Cylinder Multi Point Patio Function
71705	Beaded Profile Cylinder Multi Point Fixed Exterior/Active Interior



Von Morris Beaded Multi-Point lock trim is Custom Made to Order. Your trim will be crafted to the door specifications/-details/measurements you provide.

In classic Von Morris style, paying exacting attention to detail, all Von Morris Escutcheon Plates may be modified to fit a multitude of Multi-Point locks in either Euro Profile Cylinder or Profile Cylinder.

The Von Morris Profile Cylinder Multi-Point trim is different from other manufacturers. Von Morris has redesigned every aspect of the Multi-Point Trim, including the Profile Cylinder Mounting Blocks. Instead of one generic block mounted to all styles, each suite gets its own unique suited block. For Profile Cylinder trims, the turn piece mounted to the Profile Cylinder is the same design as the trim.

Von Morris is the only mainline manufacturer to stay true to its suited line, offering the same attention to detail that is available in every Knob, Lever, Rose and Escutcheon Plate. This allows you to complete a full hardware schedule with the same style, detail, quality, and value for which the Von Morris product has come to be known.

- Highly Detailed Beaded Design
- Solid forged brass with Beaded Lever and Plate
- Adaptor for Profile cylinder block has the same detailing as rest of Beaded suite.
- Turnpieces for both Profile cylinder and European Profile cylinder share the same detailing as rest of Beaded suite