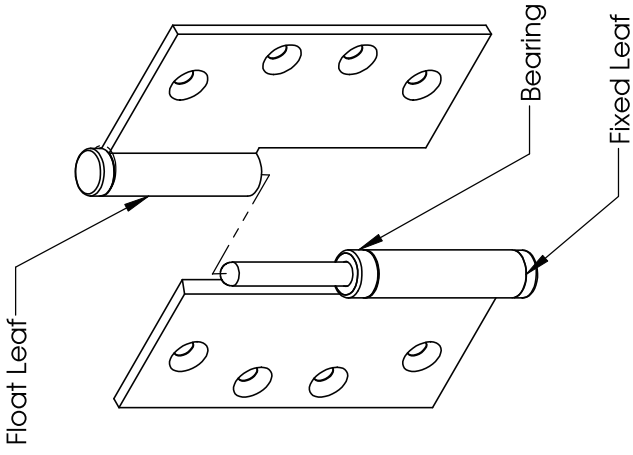


Standard finials supplied with hinge. Other finials available at additional cost.



Countersunk for # 12 screws (8 Places)

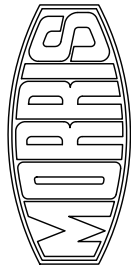
Note: Left Hand hinge shown, Right Hand opposite

TITLE:
13-4040BL/2 Two Knuckle, Ball Bearing Lift Off Hinge

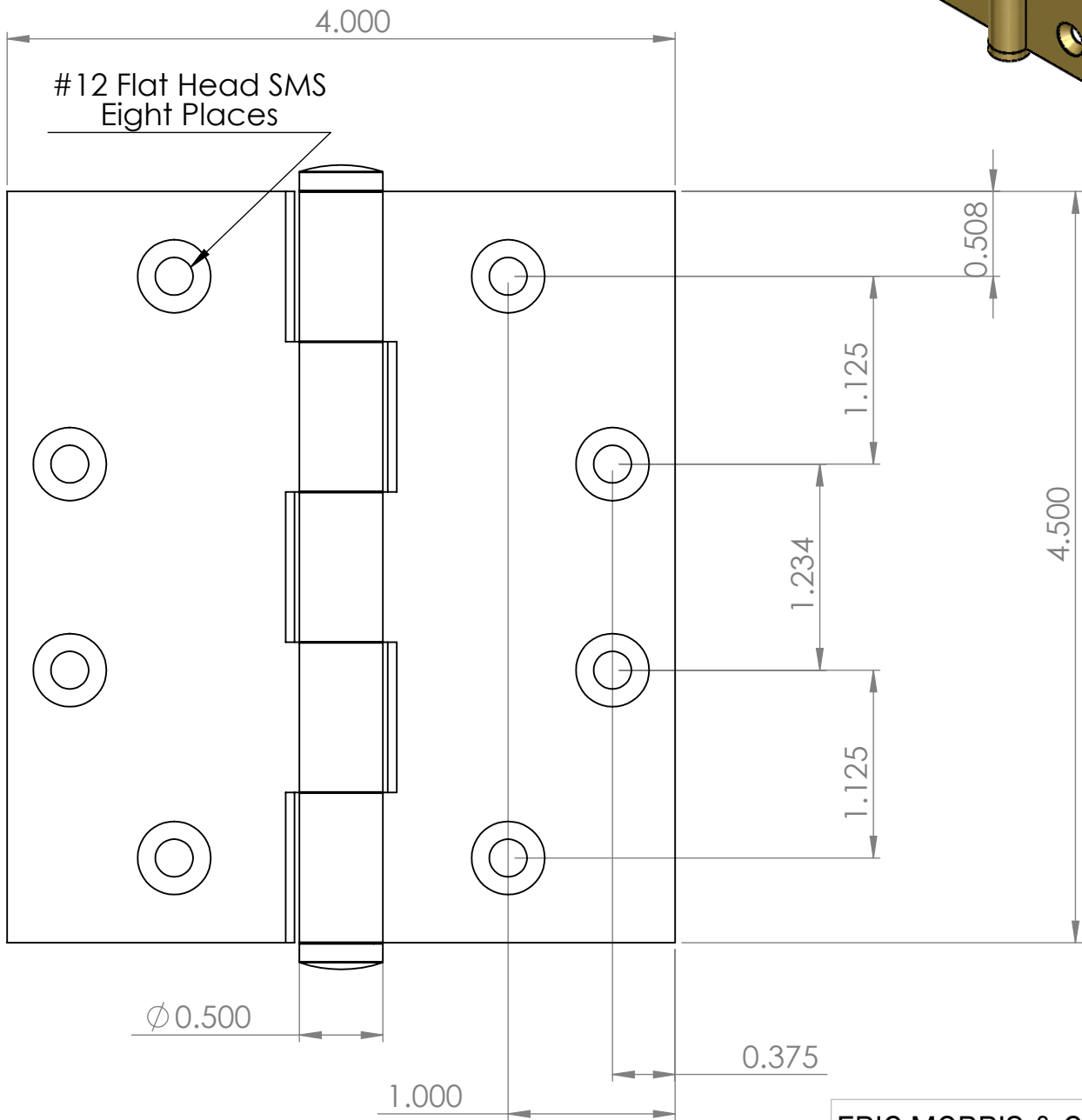
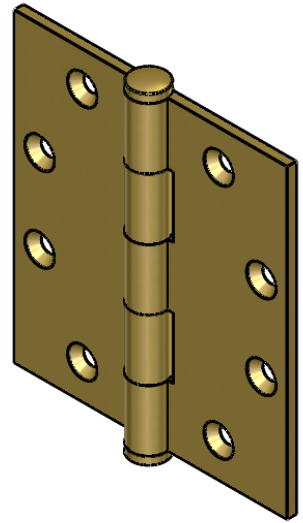
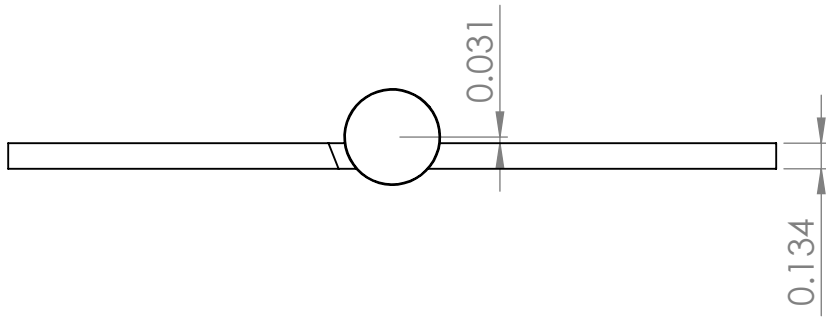
DO NOT SCALE DRAWING

SCALE:1:1 SHEET 1 OF 1

Phone: +1-856-997-0222
 Fax: +1-856-294-5116
 Email: info@ericmorrissandco.com
 Web: <http://www.ericmorrissandco.com>
 Address: **ERIC MORRIS & COMPANY**
 7249-A Browning Road
 Pennsauken, NJ 08109



THE INFORMATION CONTAINED IN THIS DRAWING IS THE SOLE PROPERTY OF ERIC MORRIS & COMPANY. ANY REPRODUCTION IN PART OR AS A WHOLE WITHOUT THE WRITTEN PERMISSION OF ERIC MORRIS & COMPANY IS STRICTLY PROHIBITED.



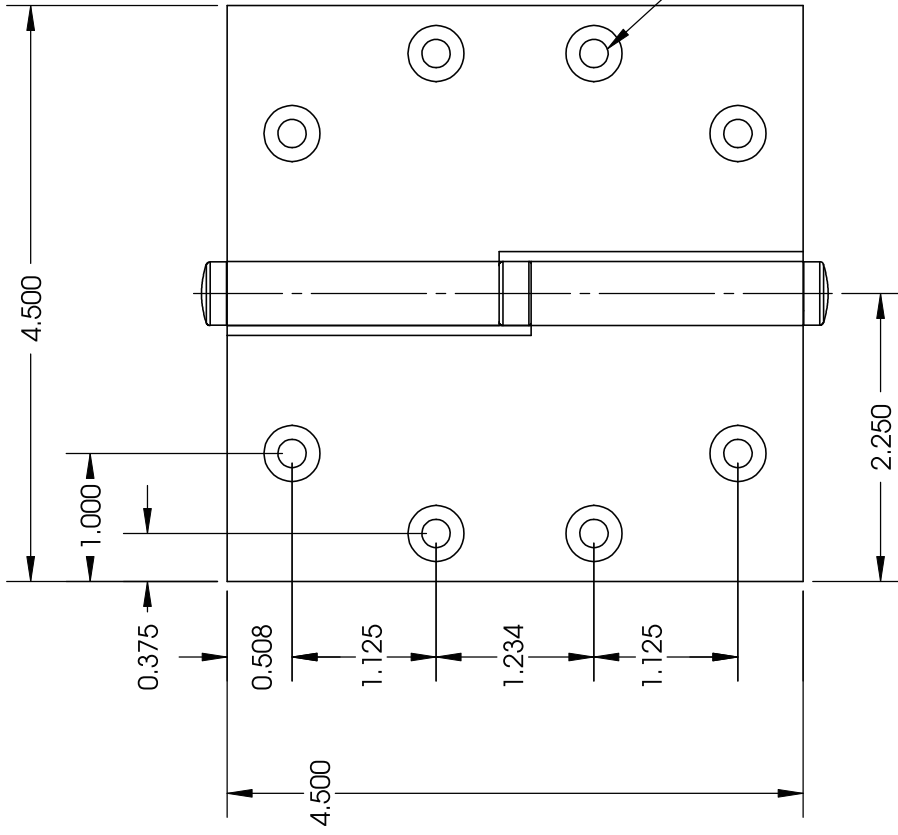
PROPRIETARY AND CONFIDENTIAL

THE INFORMATION CONTAINED IN THIS DRAWING IS THE SOLE PROPERTY OF ERIC MORRIS & COMPANY. ANY REPRODUCTION IN PART OR AS A WHOLE WITHOUT THE WRITTEN PERMISSION OF ERIC MORRIS & COMPANY IS STRICTLY PROHIBITED.

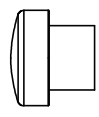
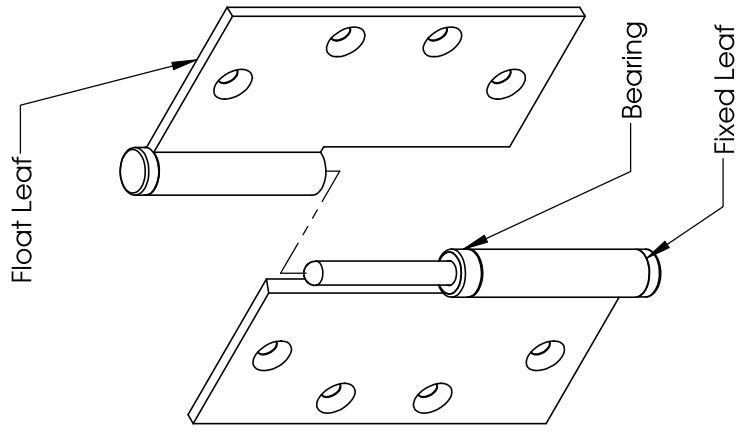
ERIC MORRIS & COMPANY



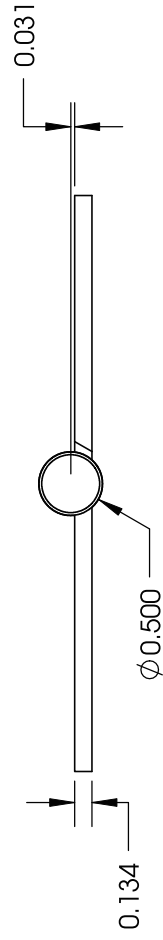
SIZE	DWG. NO.	REV.
A	13-4540A	
SCALE: 1:1	WEIGHT:	SHEET 1 OF 1



Standard finial supplied with hinge. Other finials available at additional cost.

Countersunk for #12 screws (8 Places)

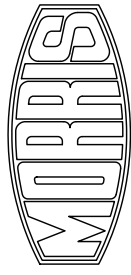


Note: Left Hand Hinge shown, Right Hand opposite

THE INFORMATION CONTAINED IN THIS DRAWING IS THE SOLE PROPERTY OF ERIC MORRIS & COMPANY. ANY REPRODUCTION IN PART OR AS A WHOLE WITHOUT THE WRITTEN PERMISSION OF ERIC MORRIS & COMPANY IS STRICTLY PROHIBITED.

TITLE:
13-4545BL/2 Two Knuckle, Ball Bearing, Lift Off Hing
 DO NOT SCALE DRAWING

SCALE:1:1 SHEET 1 OF 1



Phone: +1-856-997-0222
 Fax: +1-856-294-5116
 Email: info@ericmorrissandco.com
 Web: <http://www.ericmorrissandco.com>
 Address: ERIC MORRIS & COMPANY
 7249-A Browning Road
 Pennsauken, NJ 08109