

Art Deco - Ball Bearing - Lift Off - Standard Weight

Handed and Priced as Eaches

HIN-201	3.5" x 4.0" Art Deco Ball Bearing Lift Off Hinge
HIN-202	4.0" x 4.5" Art Deco Ball Bearing Lift Off Hinge
HIN-203	4.5" x 5.0" Art Deco Ball Bearing Lift Off Hinge



Art Deco - Ball Bearing - Lift Off - Standard Weight

Hinge Body: Hinge body is manufactured from CDA alloy 38500 brass. It is machined from an extruded bar, resulting in a hinge with high strength and precision tolerances.

Knuckle Covers: Knuckle covers are CNC machined from brass bar stock and affixed to the hinge body with stainless steel concealed screws.

Ball Bearings: Each hinge is equipped with one precision machined anti-friction Stainless Steel ball bearing assembly. The two races are machined from 300 series Stainless Steel. The balls are made from through hardened Stainless Steel. The bearing shell is machined from brass of the same alloy as the hinge body to ensure an accurate color match. The construction results in an extremely durable, long life ball bearing which is able to withstand years of hard use and corrosive environments. This bearing greatly increases both the lateral and vertical load bearing capability of the hinge and therefore increases hinge life. They are recommended for doors which receive average frequency use. They are ALWAYS recommended for doors which are equipped with a door closer.

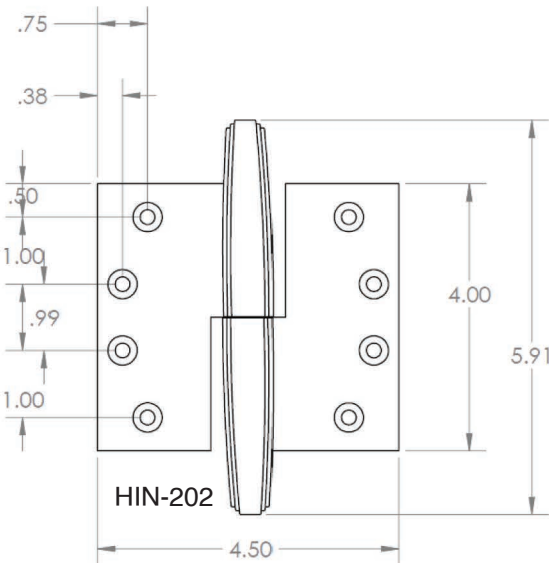
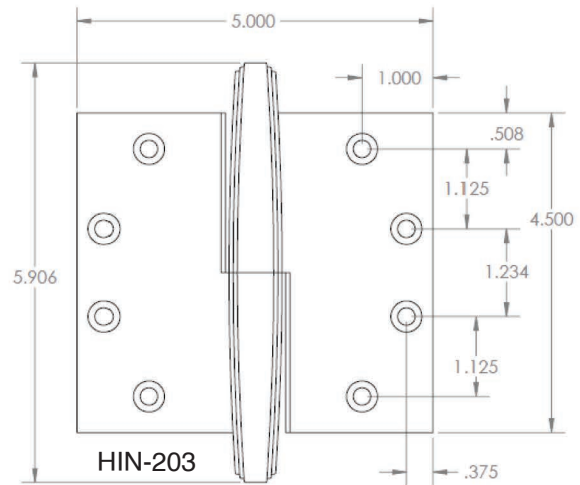
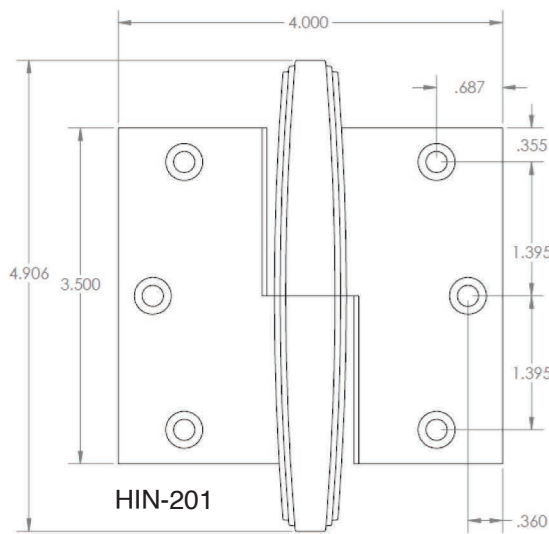
Finish: Hinges are individually hand polished assuring an even finish with no unpolished areas. Von Morris extruded hinges are available in over 30 standard finishes. Custom finishing is available. Please refer to the Price List.

Pins: Pins are machined from 304 Stainless Steel for high durability and resistance to rust. The exposed end is rounded to facilitate re-assembly, while the other end is permanently affixed to the bottom leaf.

Fasteners: All hinges are provided with type "A" tapping screws. These are solid brass, flat head, counter sunk, undercut phillips head screws. All screws are lacquered to prevent tarnishing. Screws are bagged either six per bag or eight per bag to facilitate sales of single hinges.
#12 machine screws available upon request.

Number of Hinges: For doors up to 89 inches, use three hinges. For each additional 30 inches or fraction thereof, use one additional hinge.

Packing: Two hinges per box with screws and button finials. Each hinge is poly bagged to prevent scratching. Hinges are packed 20 boxes per master carton.



Part Number	Height of Leaf	Width of Hinge	Leaf Thickness	Length of Knuckle	Screw Size	Number of Screws per hinge	Hinges per Box	Weight per Box
HIN-201	3.5"	4.0"	0.130"	4.906"	10 x 1.00"	6	2 pieces	1.3 lbs
HIN-202	4.0"	4.5"	0.134"	5.910"	12 x 1.25"	8	2 pieces	2.2 lbs
HIN-203	4.5"	5.0"	0.146"	5.906"	13 x 1.25"	8	2 pieces	2.0 lbs

- Solid Extruded Brass hinge body with CNC machined decorative cover
- **Two Knuckle Lift Off Hinges are specified and priced as eaches.**
- All hinges have template screw hole locations for use with either wood or hollow metal doors and frames.
- All pins are machined from high grade 304 Stainless Steel material and are affixed to the bottom leaf.
- All hinges are furnished with solid brass phillips head, type "A" tapping screws.
- #12 machine screws for HIN-202 and HIN-203 available upon request, at additional cost.
- **All Two Knuckle Hinges are handed.** Be sure to specify hand of hinge when ordering.