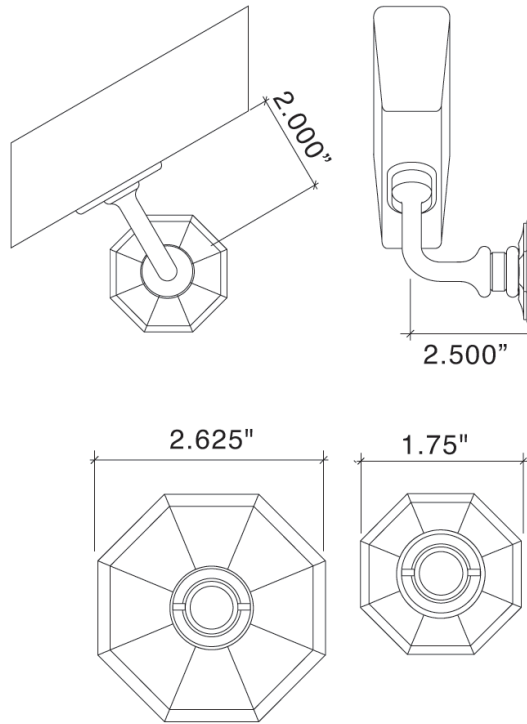




Moorestown Handrail Brackets

26-5817 Handrail Bracket with Small Moorestown Rose

26-5826 Handrail Bracket with Large Moorestown Rose



- Solid Forged Brass
- Fully concealed mounting
- "T" Nut finished to match Rose
- Radius Saddle Adapter available at additional cost

Dimensions:

Projection: Wall to centerline of railing: 2.625".

Clearance: 1.625" using 2.0" outside diameter rail.

Standard Saddle: 1.0" wide x 2.0" long - flat.

Fasteners: 5/16" x 2.0" hanger bolt and three #12 x 2.0" steel wood screws.

- Radius Saddle Adapter Available at Additional Cost