

26-5017 Small Traditional Handrail Brackets

26-5026 Large Traditional Handrail Brackets



2600 Handrail Bracket without Rose

2600/1 Handrail Bracket Radius Saddle Adaptor

Radius Saddle Adapter 2600/1
 • 1.0" wide x 2.0" long - 0.6875" radius.
 Available at additional cost.



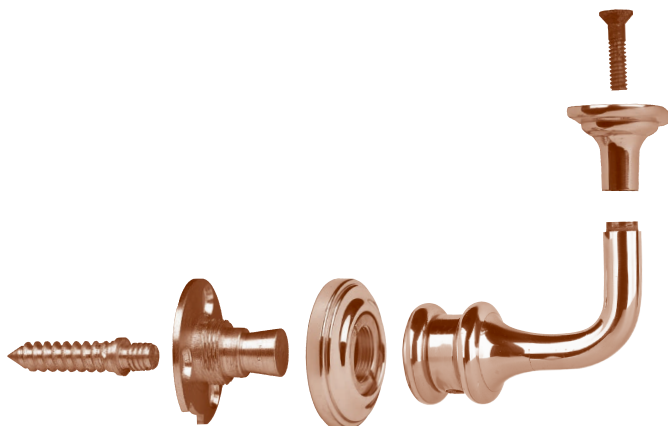
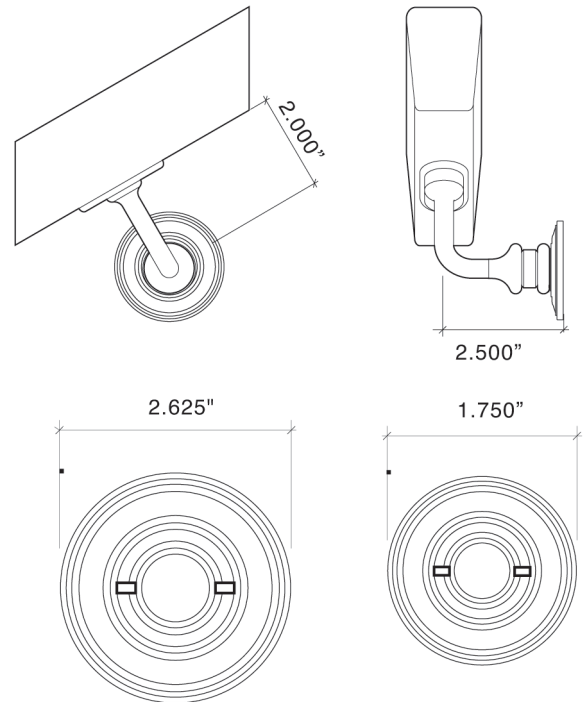
Von Morris Handrail Brackets use an innovative design allowing you to use the base bracket and elbow with any Von Morris Rose. The base attaches to the wall with a 5/16" x 2.0" hanger bolt and three #10 x 2.0" steel wood screws. The Rose is then attached to the base plate with a retainer nut. The base allows for 45° of rotation so that Roses can be properly aligned, yet prevents full rotation. The elbow fits over the large diameter boss on the base and is secured with a set screw. The saddle is attached to bottom of the rail with two #12 x 1.25" wood screws. Handrail Brackets are supplied standard for flat bottom rail. A Radius Saddle Adapter is available for an additional charge. Screws for the Radius Saddle Adapter are offset equally from the centerline to provide additional stability and to prevent the rail from rocking. Any Von Morris Rose can be used with this Handrail Bracket.

Dimensions:

Projection: Wall to centerline of railing: 2.625".
 Clearance: 1.625" using 2.0" outside diameter rail.
 Standard Saddle: 1.0" wide x 2.0" long - flat.

Fasteners:

5/16" x 2.0" hanger bolt and three #12 x 2.0" steel screws.



Traditional Handrail Bracket Set