



Newtown Escutcheon Sets with Colonial Knob

Entry Mortise

- 91102 Newtown Escutcheon Set w/ Colonial Knob -Entry Mortise Set, 2.5" Back Set Standard, Other Backsets Available, Please Inquire
- 91108 Newtown Escutcheon Set w/ Colonial Knob -Entry Mortise Dummy

IML Mortise Sets

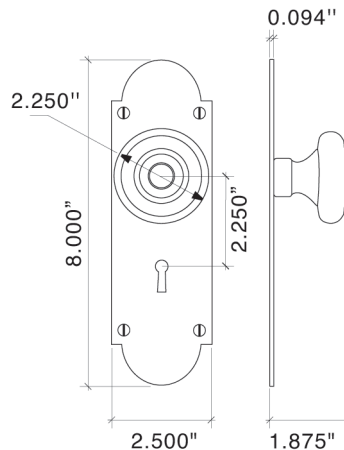
- 81101 Newtown Escutcheon Set w/ Colonial Knob - Interior Mortise Passage Latch, 2.5" Backset
- 81102 Newtown Escutcheon Set w/ Colonial Knob - Interior Mortise Privacy Lock , 2.5" Backset
- 81103 Newtown Escutcheon Set w/ Colonial Knob - Interior Mortise Bit Key Lock, 2.5" Backset
- 81104 Newtown Escutcheon Set w/ Colonial Knob - Interior Mortise Single Cylinder Lock, 2.5" Backset
- 81105 Newtown Escutcheon Set w/ Colonial Knob - Interior Mortise Double Cylinder Lock, 2.5" Backset
- 81106 Newtown Escutcheon Set w/ Colonial Knob - Interior Mortise Patio Function Lock, 2.5" Backset

Tubular Latch Sets

- 811014 Newtown Escutcheon Set w/ Colonial Knob - Tubular Passage Latch, 2-3/4 Back Set
- 811018 Newtown Escutcheon Set w/ Colonial Knob - Tubular Passage Latch, 2-3/8 Back Set
- 811024 Newtown Escutcheon Set w/ Colonial Knob - Tubular Privacy Latch, 2-3/4 Back Set
- 811028 Newtown Escutcheon Set w/ Colonial Knob - Tubular Privacy Latch, 2-3/8 Back Set
- 811022 Newtown Escutcheon Set w/ Colonial Knob - Privacy (Tubular Passage Latch with Mortise Bolt 2-3/8 Back Set)

Dummy Trim

- 81107 Newtown Escutcheon Set w/ Colonial Knob - Single Dummy
- 81108 Newtown Escutcheon Set w/ Colonial Knob - Pair of Dummies



Newtown Escutcheon with Large Colonial Knob Cut for Bit Key

- Classic Palladian Design
- Forged Brass Escutcheon Inside and Outside
- Solid Forged Brass Lever
- Hand Polished
- Plates available with Cuts for all Von Morris Locks as well as Custom Cuts for other Manufacturers' Locks