



## Ribbon & Reed Multi-Point Trim - Euro Profile Cylinder

\*Multi-Point Trim is Made-to-Order

|  |
|--|
| 71401 Ribbon & Reed European Profile Cylinder Multi Point w/Small Lever Active Function                |
| 71402 Ribbon & Reed European Profile Cylinder Multi Point w/Small Lever Full Dummy                     |
| 71403 Ribbon & Reed European Profile Cylinder Multi Point w/Small Lever Passage Function               |
| 71404 Ribbon & Reed European Profile Cylinder Multi Point w/Small Lever Patio Function                 |
| 71405 Ribbon & Reed European Profile Cylinder Multi Point w/Small Lever Fixed Exterior/Active Interior |



## Ribbon & Reed, Lion Head Lever Multi-Point Trim - Euro Profile Cylinder

\*Multi-Point Trim is Made-to-Order

|  |
|--|
| 71301 Ribbon & Reed European Profile Cylinder Multi Point w/Lion's Head Lever Active Function                |
| 71302 Ribbon & Reed European Profile Cylinder Multi Point w/Lion's Head Lever Full Dummy                     |
| 71303 Ribbon & Reed European Profile Cylinder Multi Point w/Lion's Head Lever Passage Function               |
| 71304 Ribbon & Reed European Profile Cylinder Multi Point w/Lion's Head Lever Patio Function                 |
| 71305 Ribbon & Reed European Profile Cylinder Multi Point w/Lion's Head Lever Fixed Exterior/Active Interior |

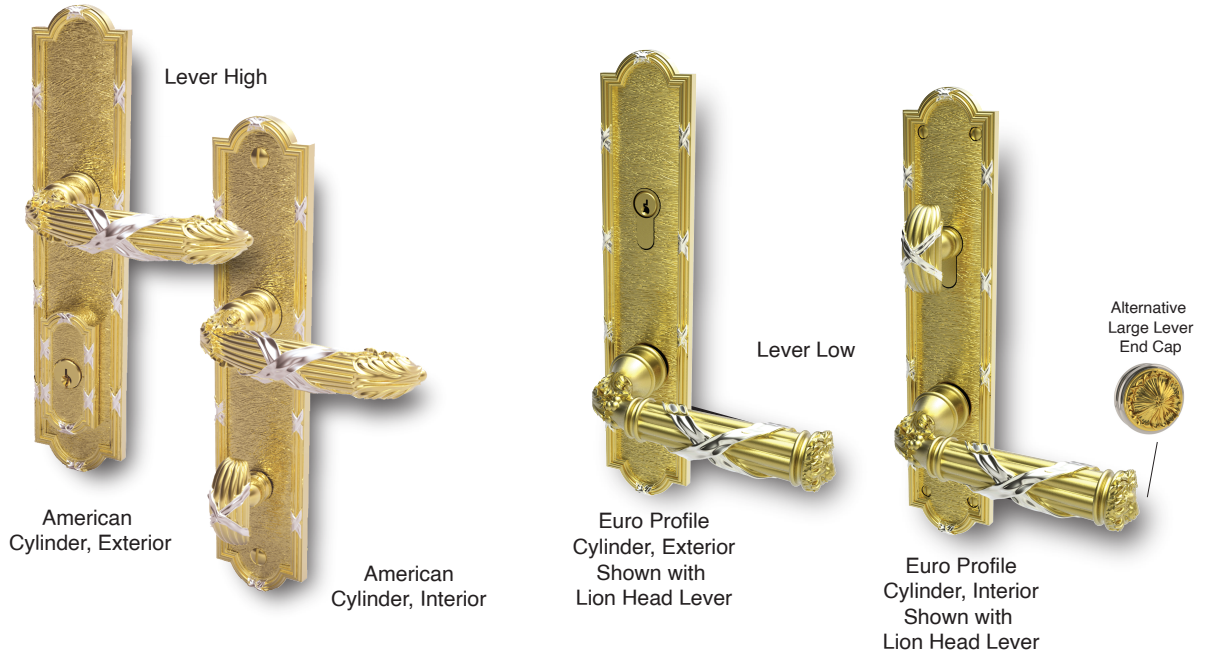
Von Morris Ribbon & Reed Multi-Point lock trim is Custom Made to Order. Your trim will be crafted to the door specifications/details/measurements you provide.

All Von Morris Ribbon & Reed Escutcheon Plates may be modified to fit a multitude of Multi-Point locks in either Euro Profile Cylinder or American Cylinder.

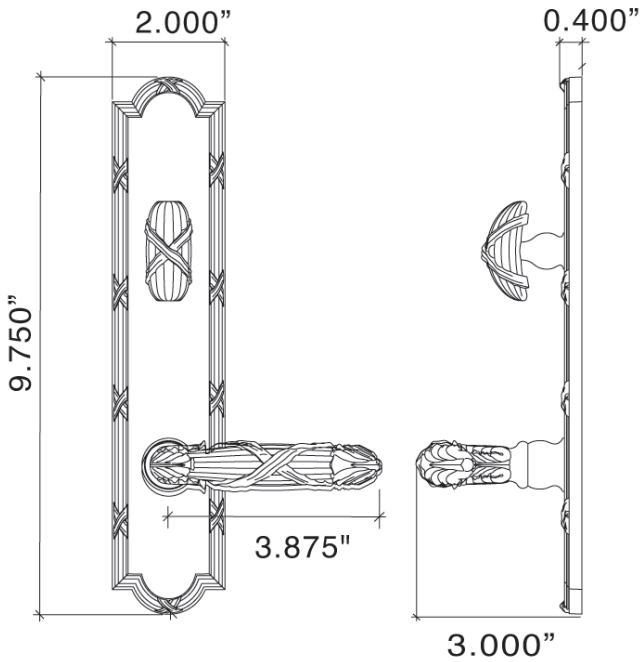
The Von Morris American Cylinder Multi-Point trim is different from other manufacturers. Von Morris has redesigned every aspect of our Multi-Point Trim, including the American Cylinder Mounting Blocks. Instead of one generic block mounted to all styles, each suite gets its own unique suited block. For Profile Cylinder trims, the turn piece mounted to the Profile Cylinder is the same design as the trim.

Von Morris is the only mainline manufacturer to stay true to its suited line, offering the same attention to detail that is available in every Knob, Lever, Rose and Escutcheon Plate. This allows you to complete a full hardware schedule with the same style, detail, quality, and value for which the Von Morris product has come to be known.

- Escutcheon Plates are CNC Milled and completely Hand Chiseled
- Turn pieces and Adaptor for American cylinder block for all Multi-Point share the same detailing as rest of Ribbon & Reed suite
- Available in Solid and Mixed Finishes
- Adaptor for American cylinder block has the same detailing as rest of Ribbon & Reed suite.



Ribbon & Reed Multi-Point w Small Lever  
Lever Low



Ribbon & Reed Multi-Point w Lion Head Lever  
Lever High

