



Entry Mortise

- 91412 Large Ribbon & Reed Escutcheon Set w/Lion's Head Knob Entry Mortise Set, 2.5" Back Set Standard, Other Backsets Available, Please Inquire
- 91418 Large Ribbon & Reed Escutcheon Set w/Lion's Head Knob -Entry Mortise Dummy

IML Mortise Sets

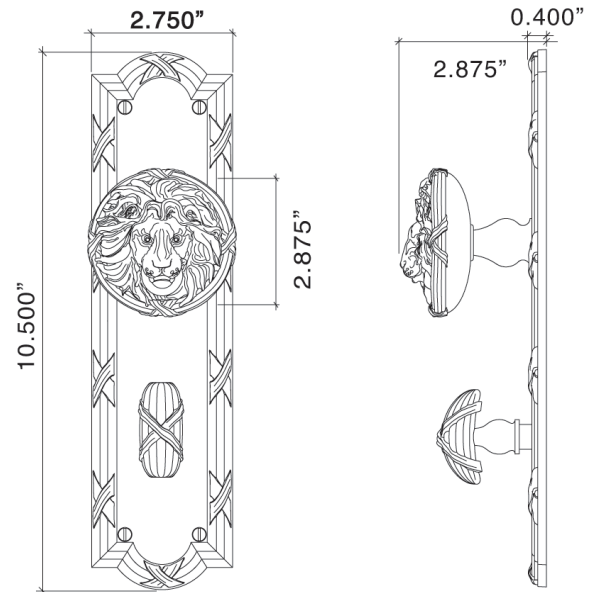
- 81411 Large Ribbon & Reed Escutcheon Set w/Lion's Head Knob - Interior Mortise Passage Latch, 2.5" Backset
- 81412 Large Ribbon & Reed Escutcheon Set w/Lion's Head Knob - Interior Mortise Privacy Lock, 2.5" Backset
- 81413 Large Ribbon & Reed Escutcheon Set w/Lion's Head Knob - Interior Mortise Bit Key Lock, 2.5" Backset
- 81414 Large Ribbon & Reed Escutcheon Set w/Lion's Head Knob - Interior Mortise Single Cylinder Lock, 2.5" Backset
- 81415 Large Ribbon & Reed Escutcheon Set w/Lion's Head Knob - Interior Mortise Double Cylinder Lock, 2.5" Backset
- 81416 Large Ribbon & Reed Escutcheon Set w/Lion's Head Knob - Interior Mortise Patio Function Lock, 2.5" Backset

Tubular Latch Sets

- 814114 Large Ribbon & Reed Escutcheon Set w/Lion's Head Knob - Tubular Passage Latch, 2-3/4 Back Set
- 814118 Large Ribbon & Reed Escutcheon Set w/Lion's Head Knob - Tubular Passage Latch, 2-3/8 Back Set
- 814124 Large Ribbon & Reed Escutcheon Set w/Lion's Head Knob - Tubular Privacy Latch, 2-3/4 Back Set
- 814128 Large Ribbon & Reed Escutcheon Set w/Lion's Head Knob - Tubular Privacy Latch, 2-3/8 Back Set
- 814112 Large Ribbon & Reed Escutcheon Set w/Lion's Head Knob - Privacy (Tubular Passage Latch with Mortise Bolt 2-3/8 Back Set)

Dummy Trim

- 81417 Large Ribbon & Reed Escutcheon Set w/Lion's Head Knob - Single Dummy
- 81418 Large Ribbon & Reed Escutcheon Set w/Lion's Head Knob - Pair of Dummies



- Escutcheon Plates are CNC Milled and completely Hand Chiseled
- Available in Solid and Mixed Finishes
- Knob, Lever and Thumb Turn are all Lost Wax Cast Brass.
- All components are Hand Chiseled for Exceptional Detail not achievable
- Plates available with Cuts for all Von Morris Locks as well as Custom Cuts for other Manufacturers' Locks
- Specify door thickness when ordering
- All IML Privacy and Tubular Mortise Bolt Privacy Sets come with ER Trim Standard on the Exterior. Exterior Bit Key Trim can be substituted for no additional charge.



Entry Mortise

91402 Small Ribbon & Reed Escutcheon Set w/Small Ribbon & Reed Knob Entry Mortise Set, 2.5" Back Set Standard, Other Backsets Available, Please Inquire

91408 Small Ribbon & Reed Escutcheon Set w/Small Ribbon & Reed Knob -Entry Mortise Dummy

IML Mortise Sets

81401 Small Ribbon & Reed Escutcheon Set w/Small Knob - Interior Mortise Passage Latch, 2.5" Backset

81402 Small Ribbon & Reed Escutcheon Set w/Small Knob - Interior Mortise Privacy Lock, 2.5" Backset

81403 Small Ribbon & Reed Escutcheon Set w/Small Knob - Interior Mortise Bit Key Lock, 2.5" Backset

81404 Small Ribbon & Reed Escutcheon Set w/Small Knob - Interior Mortise Single Cylinder Lock, 2.5" Backset

81405 Small Ribbon & Reed Escutcheon Set w/Small Knob - Interior Mortise Double Cylinder Lock, 2.5" Backset

81406 Small Ribbon & Reed Escutcheon Set w/Small Knob - Interior Mortise Patio Function Lock, 2.5" Backset

Tubular Latch Sets

814014 Small Ribbon & Reed Escutcheon Set w/Small Knob - Tubular Passage Latch, 2-3/4 Back Set

814018 Small Ribbon & Reed Escutcheon Set w/Small Knob - Tubular Passage Latch, 2-3/8 Back Set

814024 Small Ribbon & Reed Escutcheon Set w/Small Knob - Tubular Privacy Latch, 2-3/4 Back Set

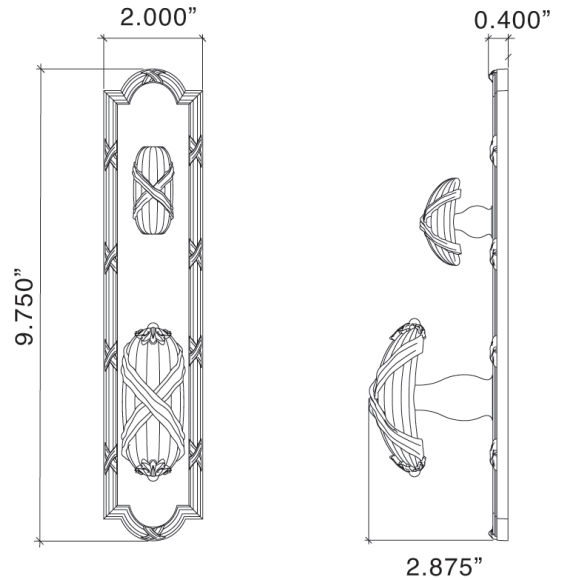
814028 Small Ribbon & Reed Escutcheon Set w/Small Knob - Tubular Privacy Latch, 2-3/8 Back Set

814012 Small Ribbon & Reed Escutcheon Set w/Small Knob - Privacy (Tubular Passage Latch with Mortise Bolt 2-3/8 Back Set)

Dummy Trim

81407 Small Ribbon & Reed Escutcheon Set w/Small Knob - Single Dummy

81408 Small Ribbon & Reed Escutcheon Set w/Small Knob - Pair of Dummies



- Escutcheon Plates are CNC Milled and completely Hand Chiseled
- Available in Solid and Mixed Finishes
- Knob, Lever and Thumb Turn are all Lost Wax Cast Brass.
- All components are Hand Chiseled for Exceptional Detail not achievable by any other means
- Plates available with Cuts for all Von Morris Locks as well as Custom Cuts for other Manufacturers' Locks
- Specify door thickness when ordering
- All IML Privacy and Tubular Mortise Bolt Privacy Sets come with ER Trim Standard on the Exterior. Exterior Bit Key Trim can be substituted for no additional charge.