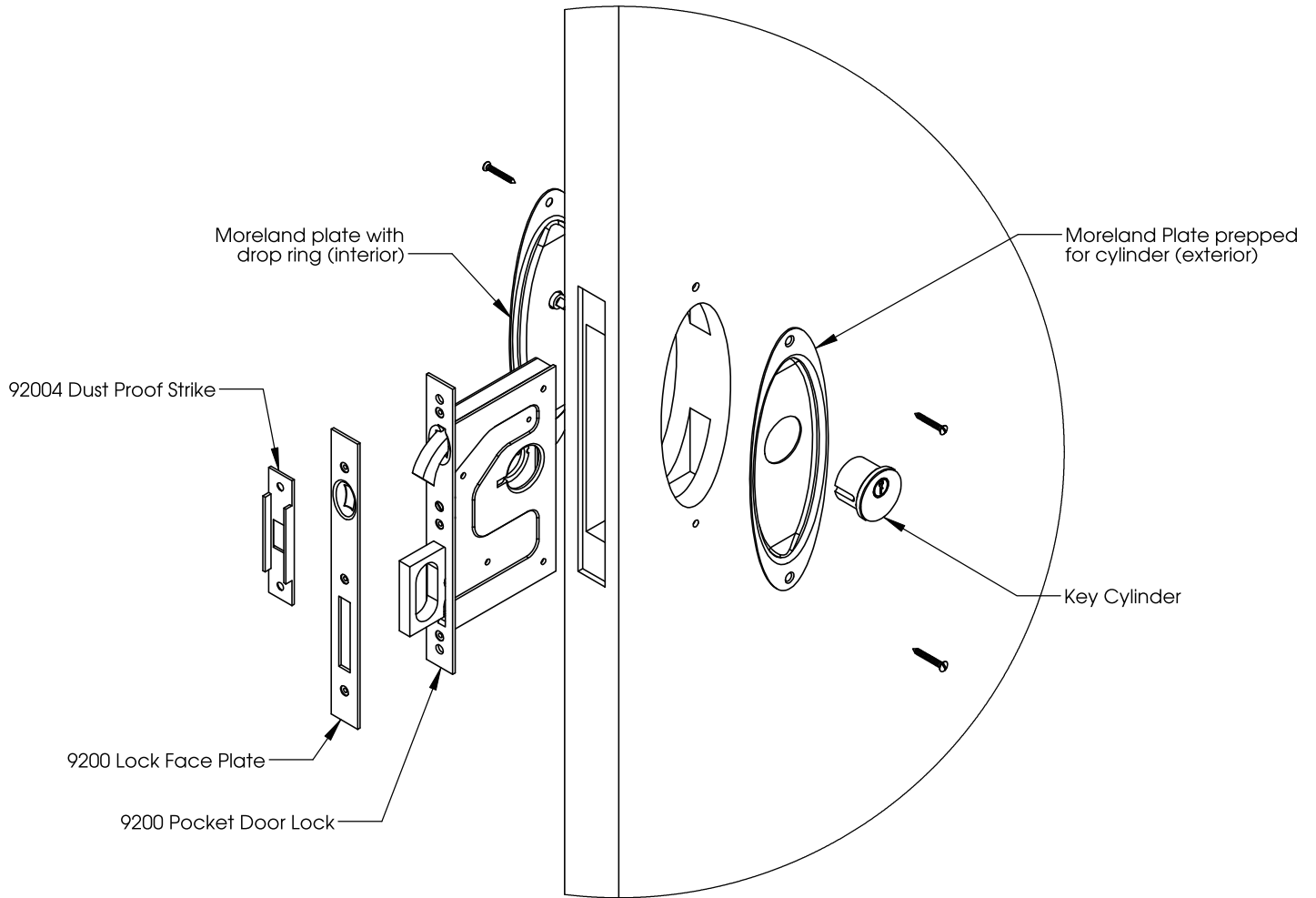


# Standard Pocket Door Lock (82093 Moreland Single Cylinder Set shown)



THE INFORMATION CONTAINED IN THIS DRAWING IS THE SOLE PROPERTY OF ERIC MORRIS & COMPANY. ANY REPRODUCTION IN PART OR AS A WHOLE WITHOUT THE WRITTEN PERMISSION OF ERIC MORRIS & COMPANY IS STRICTLY PROHIBITED.

TITLE:

DO NOT SCALE DRAWING

SCALE:1:1

SHEET 1 OF 1



Phone: +1-856-997-0222  
 Fax: +1-856-294-5116  
 Email: [info@ericmorrisandco.com](mailto:info@ericmorrisandco.com)  
 Web: <http://www.ericmorrisandco.com>  
 Address: ERIC MORRIS & COMPANY  
 7249-A Browning Road  
 Pennsauken, NJ 08109

# Traditional Pocket Door Lock Installation Instructions

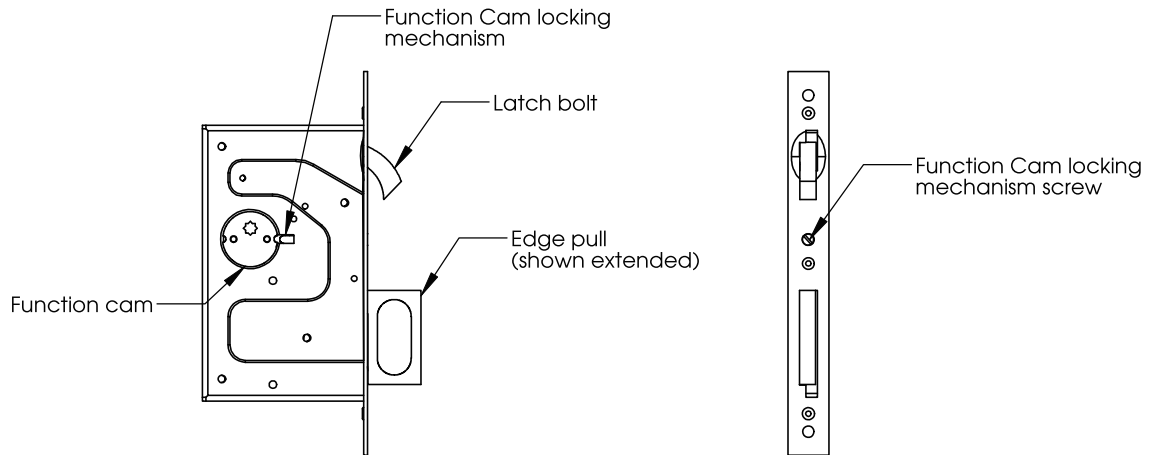
1) Ensure door is prepped according to the Bryn Mawr or Moreland template, according to selected trim.

2) Prior to installing the 9200 Pocket Door Lock (PDL) body, ensure that the appropriate function cam is installed (standard cam illustrated below):

A) Drop ring and Emergency Release (ER) trim require standard cam

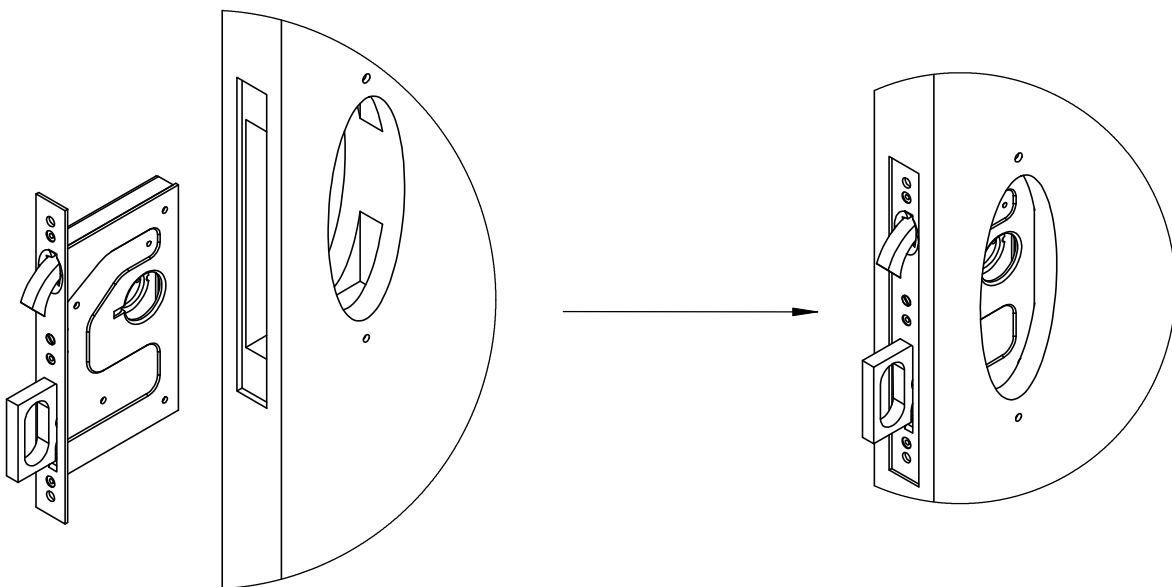
B) Bit kit function/trim requires bit key cams (**MUST BE bit key by bit key**)

C) Cylinders require no cams (the cylinder threads directly into the lock body)



3) If not using cylinders, ensure that the cams are locked into place. The cam locking mechanism will engage the small half circle cut-outs on the cams. If using cylinders, DO NOT secure cam at this time.

4) Install the 9200 PDL case into the mortise as shown below. Secure using the two screws. DO NOT install the decorative face plate at this time.



THE INFORMATION CONTAINED IN THIS DRAWING IS THE SOLE PROPERTY OF ERIC MORRIS & COMPANY. ANY REPRODUCTION IN PART OR AS A WHOLE WITHOUT THE WRITTEN PERMISSION OF ERIC MORRIS & COMPANY IS STRICTLY PROHIBITED.

TITLE:

DO NOT SCALE DRAWING

SCALE:1:1

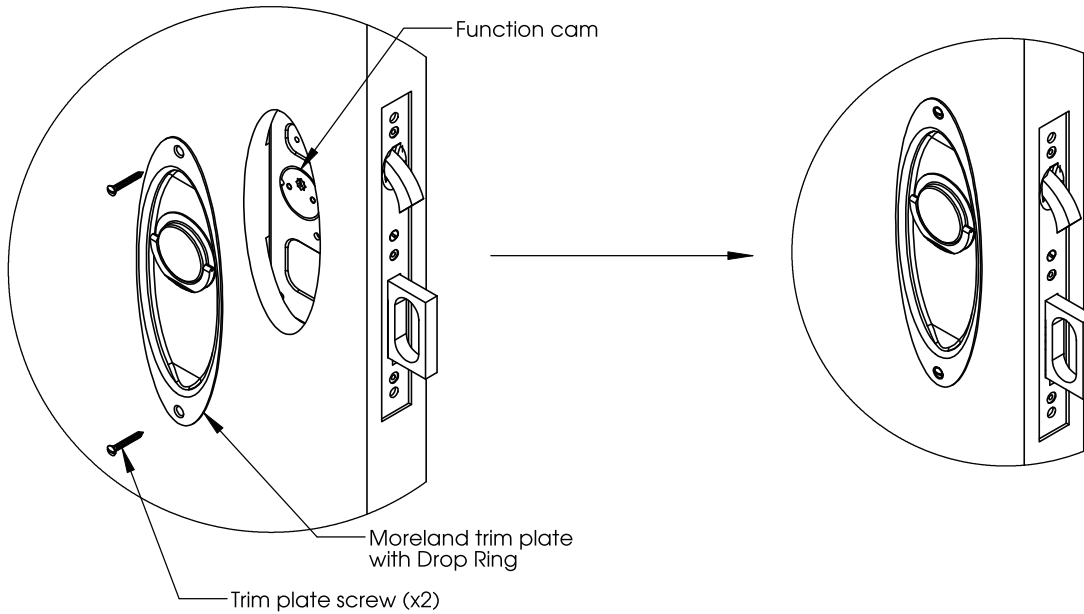
SHEET 1 OF 1



Phone: +1-856-997-0222  
Fax: +1-856-294-5116  
Email: [info@ericmorrisandco.com](mailto:info@ericmorrisandco.com)  
Web: <http://www.ericmorrisandco.com>  
Address: ERIC MORRIS & COMPANY  
7249-A Browning Road  
Pennsauken, NJ 08109

5) Cut the spindle on the drop ring turn or ER trim, ensuring that the spindle does not project more than halfway through the lock housing.

6) Place the trim plate on the face of the door with the spindle engaging the star cut-out in the function cam. Secure the trim to the door using the 2 screws (Moreland trim, shown below) or the 4 screws (Bryn Mawr trim).

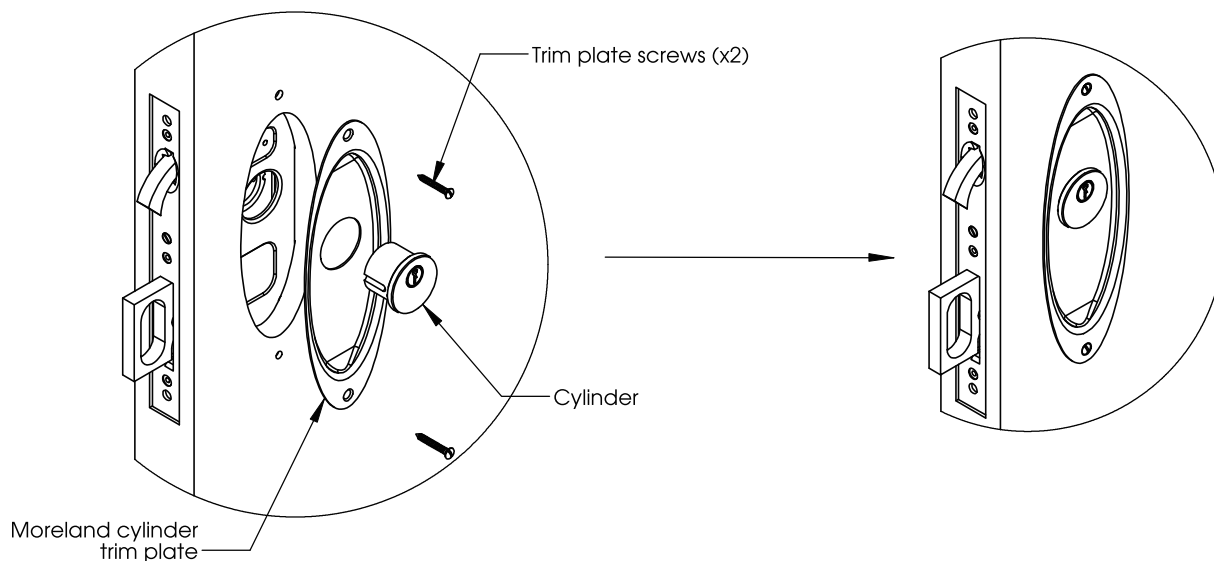


7) If NOT using a cylinder on the exterior of the door, repeat steps 5 and 6 and then skip to step 11. For cylinder installation, proceed to step 8.

8) Place the trim plate against the door. Do not secure with screws yet. Thread the cylinder (and blocking ring if supplied) into the pocket door lock until the cylinder is tight to the trim plate.

9) At this time, tighten the function cam lock screw. This will lock the cylinder in place and prevent rotation during normal use/operation.

10) Secure the plate as per step #6.



THE INFORMATION CONTAINED IN THIS DRAWING IS THE SOLE PROPERTY OF ERIC MORRIS & COMPANY. ANY REPRODUCTION IN PART OR AS A WHOLE WITHOUT THE WRITTEN PERMISSION OF ERIC MORRIS & COMPANY IS STRICTLY PROHIBITED.

TITLE:

DO NOT SCALE DRAWING

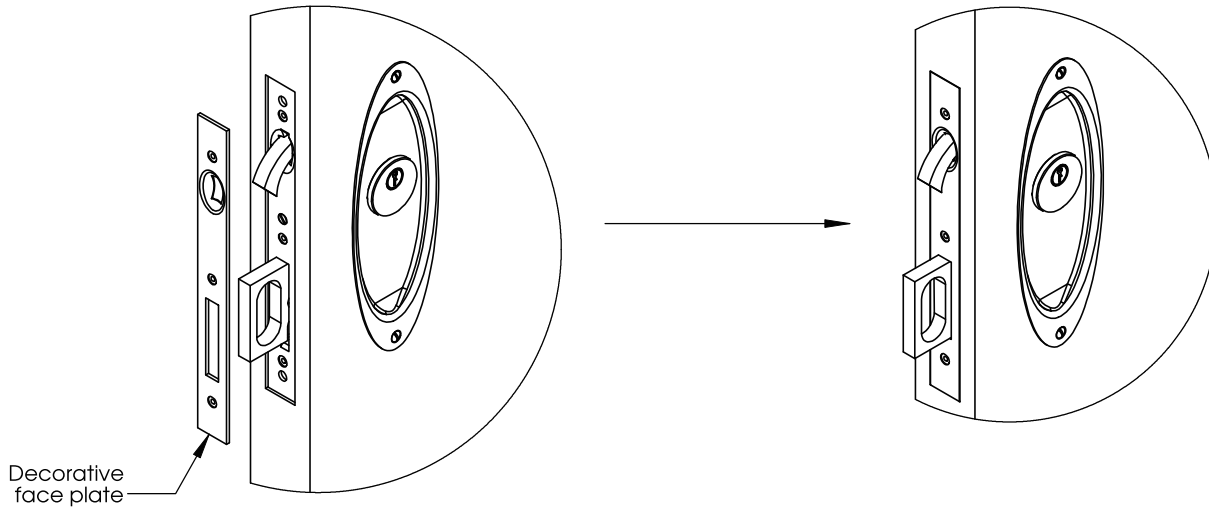
SCALE:1:1

SHEET 1 OF 1



Phone: +1-856-997-0222  
Fax: +1-856-294-5116  
Email: [info@ericmorrisandco.com](mailto:info@ericmorrisandco.com)  
Web: <http://www.ericmorrisandco.com>  
Address: ERIC MORRIS & COMPANY  
7249-A Browning Road  
Pennsauken, NJ 08109

11) Attach decorative face plate to face of lock and secure using the three (3) machine screws provided.



Notes:

- 1) Ensure proper operation by operating the lock. The latch bolt should freely extend and retract.
- 2) The edge pull should eject from the lock housing when the latch bolt is pushed in the retracted position. When pushed back in, the edge pull should "click" back into place and remain retracted.

THE INFORMATION CONTAINED IN THIS DRAWING IS THE SOLE PROPERTY OF ERIC MORRIS & COMPANY. ANY REPRODUCTION IN PART OR AS A WHOLE WITHOUT THE WRITTEN PERMISSION OF ERIC MORRIS & COMPANY IS STRICTLY PROHIBITED.

TITLE:

DO NOT SCALE DRAWING

SCALE:1:1

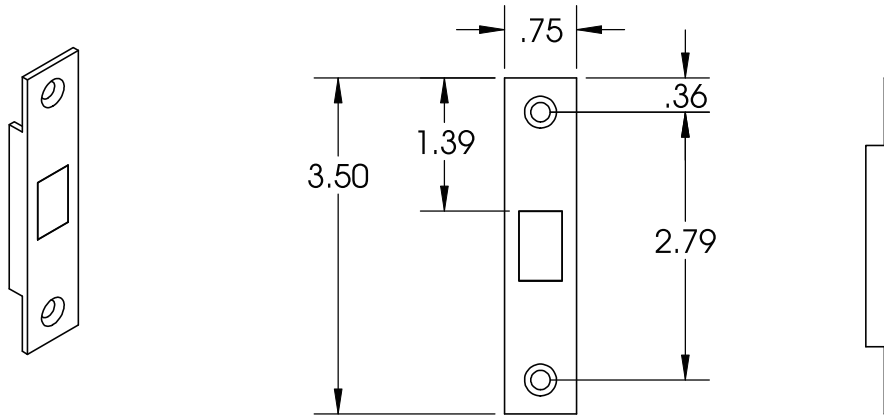
SHEET 1 OF 1



Phone: +1-856-997-0222  
Fax: +1-856-294-5116  
Email: [info@ericmorrisandco.com](mailto:info@ericmorrisandco.com)  
Web: <http://www.ericmorrisandco.com>  
Address: ERIC MORRIS & COMPANY  
7249-A Browning Road  
Pennsauken, NJ 08109

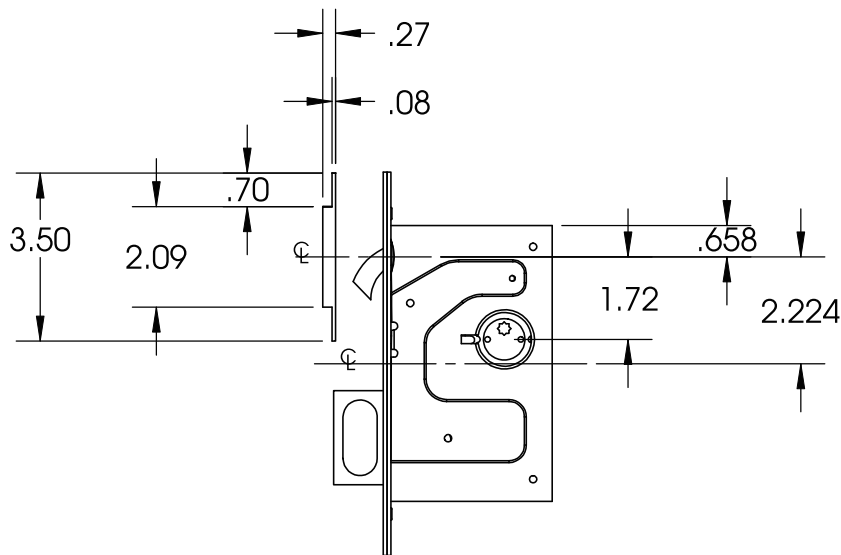
# Traditional Pocket Door Lock Strike Details

Pocket Door lock sets are supplied with a dust proof strike standard, which is detailed below.



92004 Dust Proof Strike

Installation instructions for the strike are detailed below. The centerline of the flap/cutout on the strike should align with the centerline of the cutout for the latch bolt in the 9200 lock housing. Ensure an adequate amount of material in the jamb is removed to allow full projection of the latch bolt. (Note: Gap shown below for illustration purposes only)



92004 Strike & 9200 Lock details/positioning

THE INFORMATION CONTAINED IN THIS DRAWING IS THE SOLE PROPERTY OF ERIC MORRIS & COMPANY. ANY REPRODUCTION IN PART OR AS A WHOLE WITHOUT THE WRITTEN PERMISSION OF ERIC MORRIS & COMPANY IS STRICTLY PROHIBITED.

TITLE:

DO NOT SCALE DRAWING

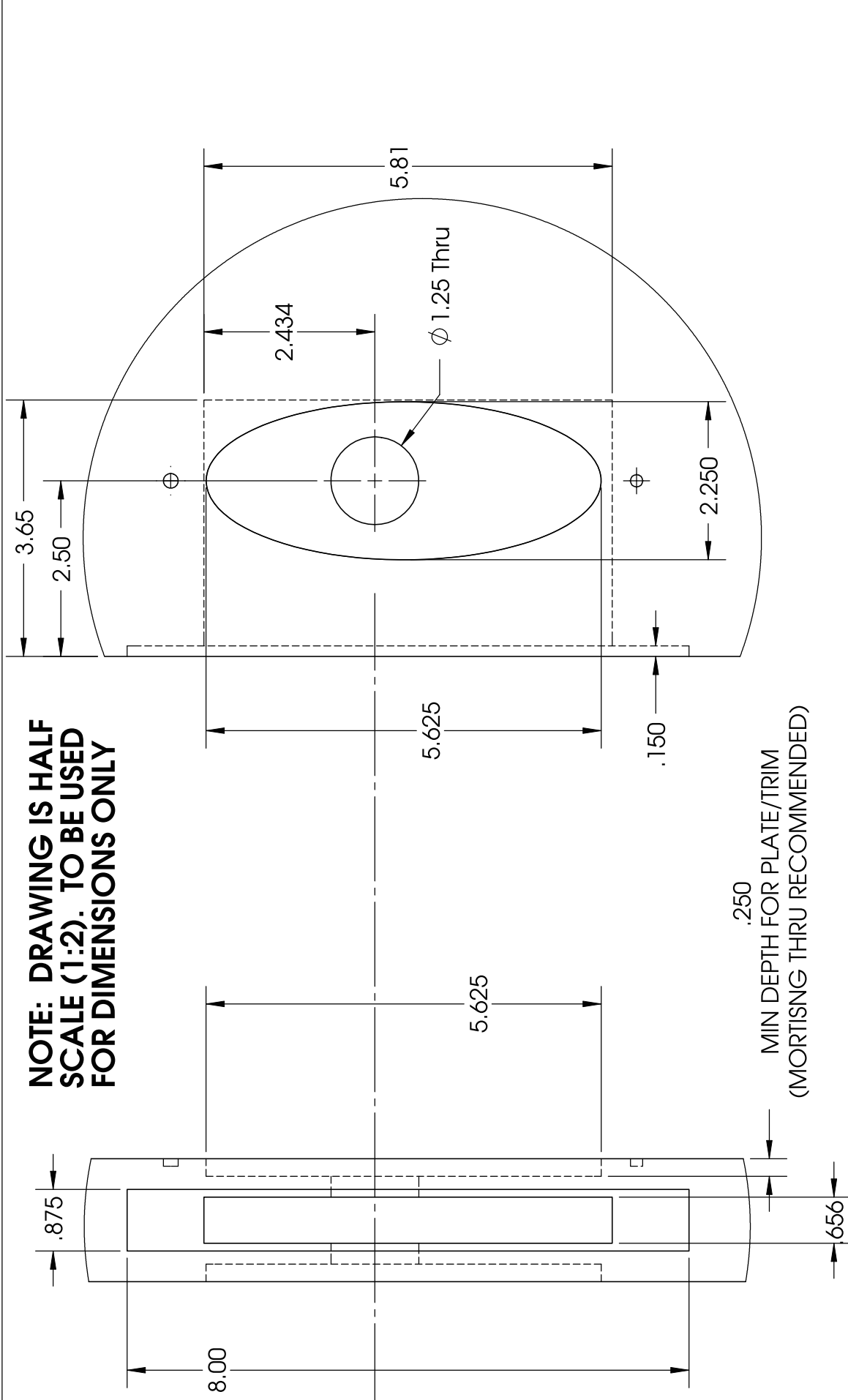
SCALE:1:1

SHEET 1 OF 1



Phone: +1-856-997-0222  
 Fax: +1-856-294-5116  
 Email: [info@ericmorrisandco.com](mailto:info@ericmorrisandco.com)  
 Web: <http://www.ericmorrisandco.com>  
 Address: ERIC MORRIS & COMPANY  
 7249-A Browning Road  
 Pennsauken, NJ 08109

**NOTE: DRAWING IS HALF SCALE (1:2). TO BE USED FOR DIMENSIONS ONLY**



.250  
MIN DEPTH FOR PLATE/TRIM  
(MORTISING THRU RECOMMENDED)

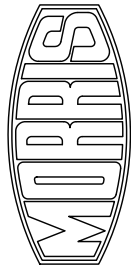
TITLE:

**MORELAND DOOR PREP TEMPLATE**

**DO NOT SCALE DRAWING**

SCALE:1:1

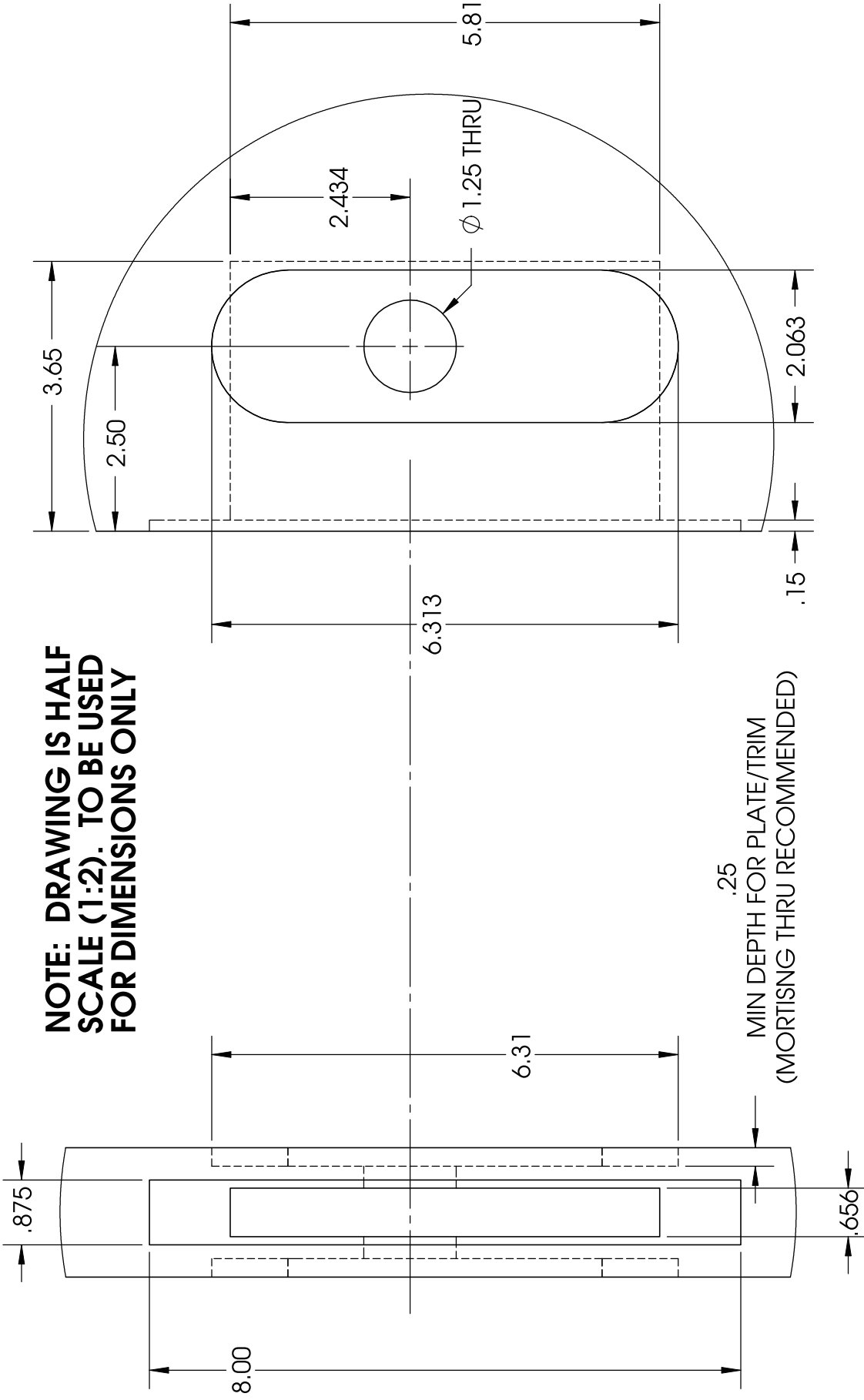
SHEET 1 OF 1



Phone: +1-856-997-0222  
 Fax: +1-856-294-5116  
 Email: [info@ericmorrissandco.com](mailto:info@ericmorrissandco.com)  
 Web: <http://www.ericmorrissandco.com>  
 Address: ERIC MORRIS & COMPANY  
 7249-A Browning Road  
 Pennsauken, NJ 08109

THE INFORMATION CONTAINED IN THIS DRAWING IS THE SOLE PROPERTY OF ERIC MORRIS & COMPANY. ANY REPRODUCTION IN PART OR AS A WHOLE WITHOUT THE WRITTEN PERMISSION OF ERIC MORRIS & COMPANY IS STRICTLY PROHIBITED.

**NOTE: DRAWING IS HALF SCALE (1:2). TO BE USED FOR DIMENSIONS ONLY**



**TITLE:**

**BRYN MAWR DOOR PREP TEMPLATE**

**DO NOT SCALE DRAWING**

SCALE:1:1

SHEET 1 OF 1



Phone: +1-856-997-0222  
 Fax: +1-856-294-5116  
 Email: [info@ericmorrissandco.com](mailto:info@ericmorrissandco.com)  
 Web: <http://www.ericmorrissandco.com>  
 Address: ERIC MORRIS & COMPANY  
 7249-A Browning Road  
 Pennsauken, NJ 08109