

Note: Hinge supplied with Ball tip finials pre-installed. Other finials available at additional cost.

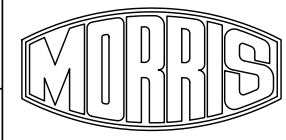
THE INFORMATION CONTAINED IN THIS DRAWING IS THE SOLE PROPERTY OF ERIC MORRIS & COMPANY. ANY REPRODUCTION IN PART OR AS A WHOLE WITHOUT THE WRITTEN PERMISSION OF ERIC MORRIS & COMPANY IS STRICTLY PROHIBITED.

TITLE:  
**60-1515 Cabinet Hinge**

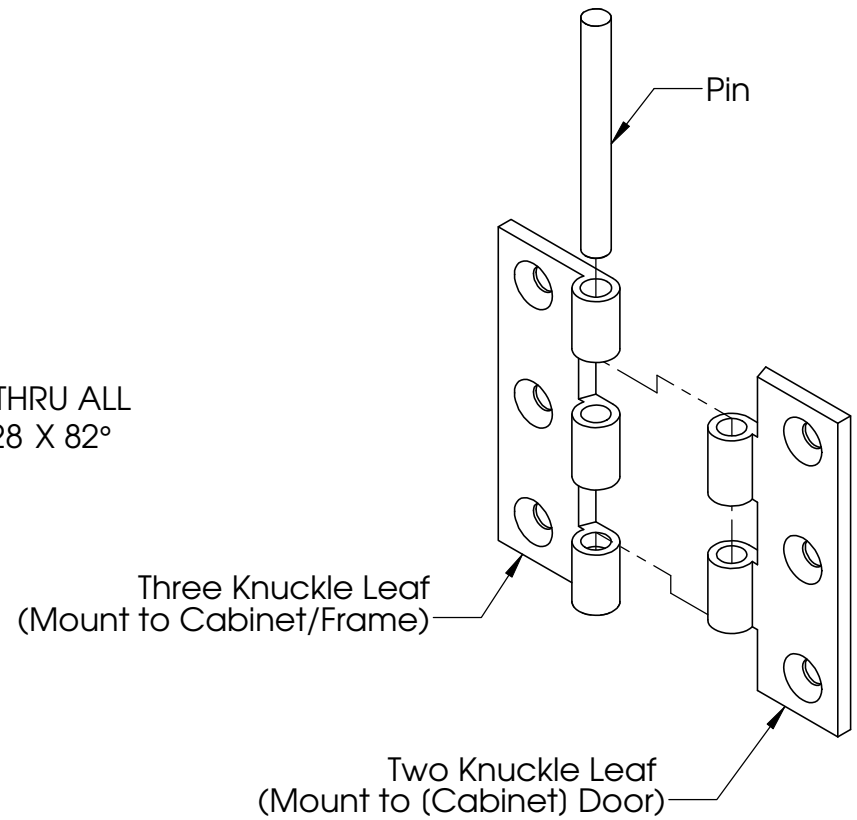
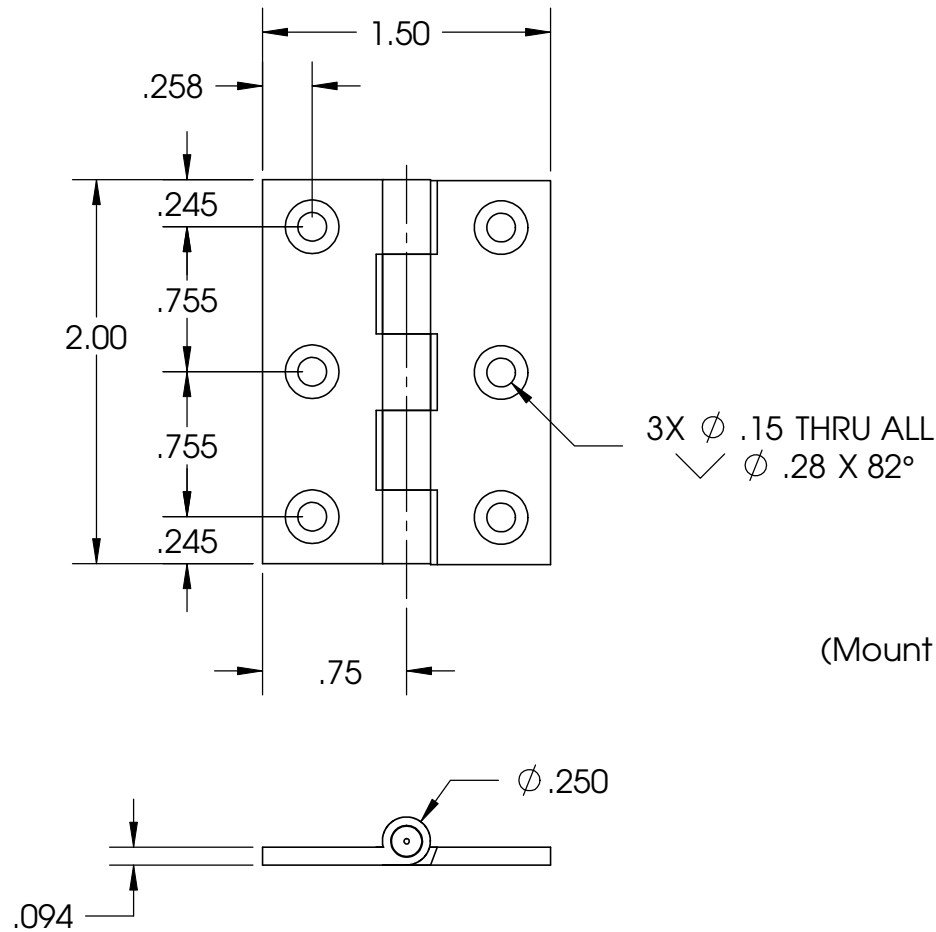
**DO NOT SCALE DRAWING**

SCALE:1:1

SHEET 1 OF 1



Phone: +1-856-997-0222  
 Fax: +1-856-294-5116  
 Email: [info@ericmorrisandco.com](mailto:info@ericmorrisandco.com)  
 Web: <http://www.ericmorrisandco.com>  
 Address: ERIC MORRIS & COMPANY  
 7249-A Browning Road  
 Pennsauken, NJ 08109



Note: Hinges supplied with Ball tip finials pre-installed. Additional finials available at additional cost.

THE INFORMATION CONTAINED IN THIS DRAWING IS THE SOLE PROPERTY OF ERIC MORRIS & COMPANY. ANY REPRODUCTION IN PART OR AS A WHOLE WITHOUT THE WRITTEN PERMISSION OF ERIC MORRIS & COMPANY IS STRICTLY PROHIBITED.

TITLE:

## 60-2015 Cabinet Hinge

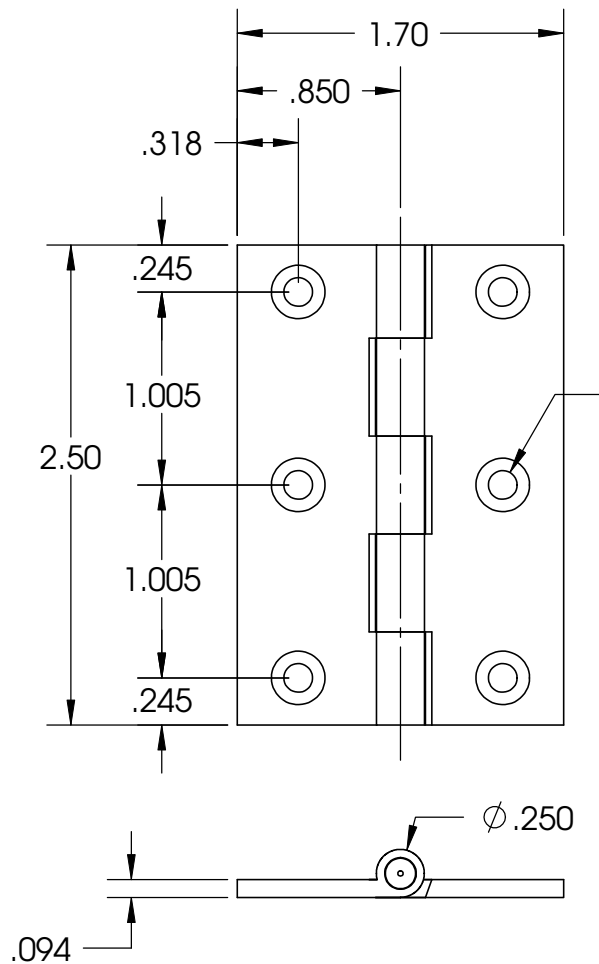
DO NOT SCALE DRAWING

SCALE:1:1

SHEET 1 OF 1



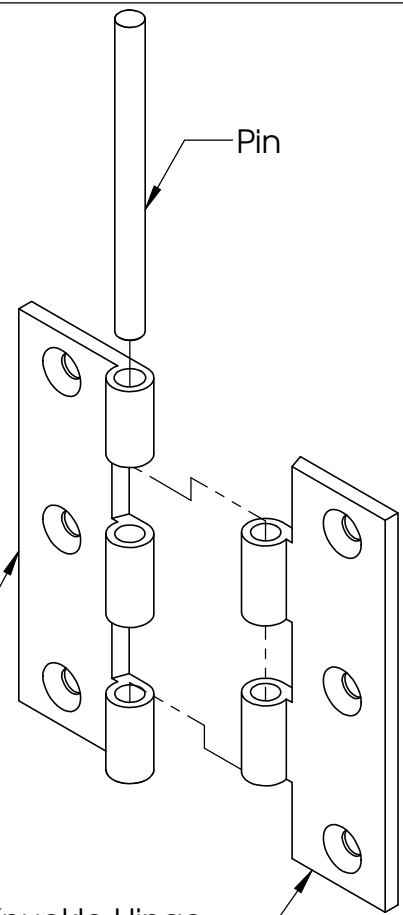
Phone: +1-856-997-0222  
 Fax: +1-856-294-5116  
 Email: [info@ericmorrisandco.com](mailto:info@ericmorrisandco.com)  
 Web: <http://www.ericmorrisandco.com>  
 Address: ERIC MORRIS & COMPANY  
 7249-A Browning Road  
 Pennsauken, NJ 08109



3X  $\phi$  .15 THRU ALL  
 $\checkmark$   $\phi$  .28 X 82°

Three Knuckle Leaf  
 (Mount to Cabinet/Frame)

Two Knuckle Hinge  
 (Mount to (Cabinet) Door)



Note: Hinges are supplied with Ball Tip finials pre-installed. Other finials available at additional cost.

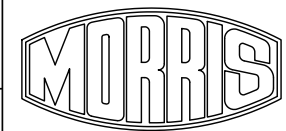
THE INFORMATION CONTAINED IN THIS DRAWING IS THE SOLE PROPERTY OF ERIC MORRIS & COMPANY. ANY REPRODUCTION IN PART OR AS A WHOLE WITHOUT THE WRITTEN PERMISSION OF ERIC MORRIS & COMPANY IS STRICTLY PROHIBITED.

TITLE:  
**60-2517 Cabinet Hinge**

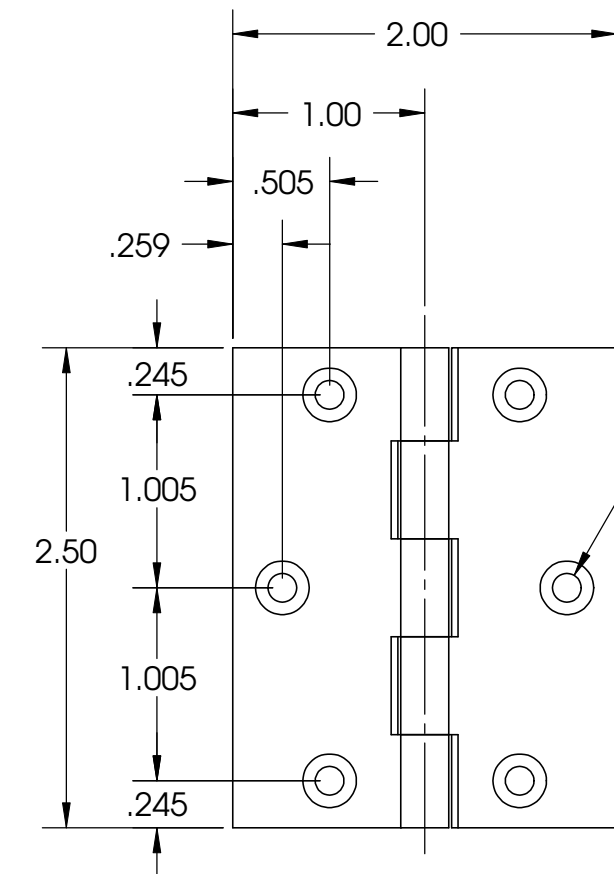
**DO NOT SCALE DRAWING**

SCALE:1:1

SHEET 1 OF 1



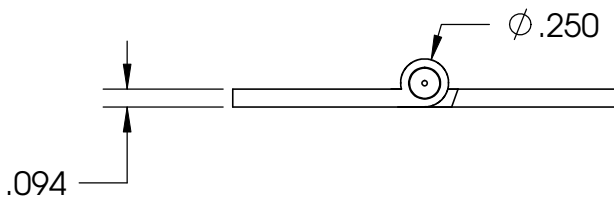
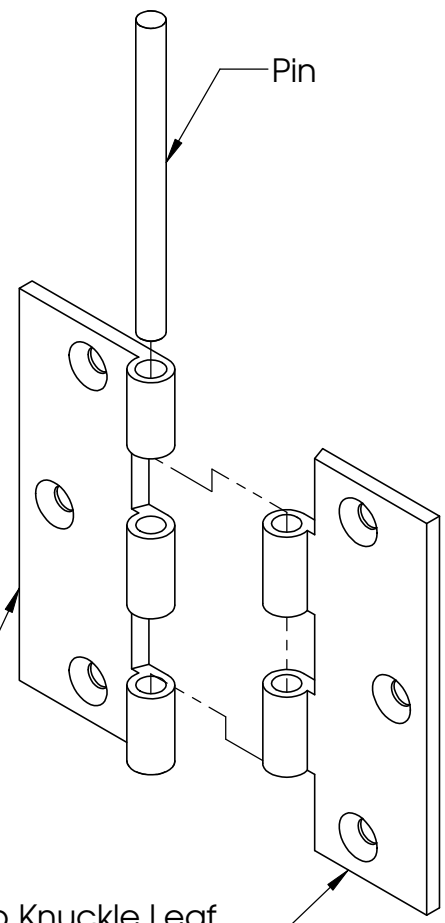
Phone: +1-856-997-0222  
 Fax: +1-856-294-5116  
 Email: [info@ericmorrisandco.com](mailto:info@ericmorrisandco.com)  
 Web: <http://www.ericmorrisandco.com>  
 Address: ERIC MORRIS & COMPANY  
 7249-A Browning Road  
 Pennsauken, NJ 08109



3X  $\phi$  .15 THRU ALL  
 $\surd$   $\phi$  .28 X 82°

Three Knuckle Leaf  
 (Mount to Cabinet/Frame)

Two Knuckle Leaf  
 (Mount to (Cabinet) Door)



Note: Hinges supplied with Ball tip finials pre-installed. Other finials available at additional cost.

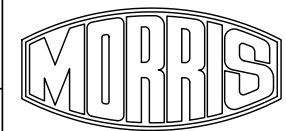
THE INFORMATION CONTAINED IN THIS DRAWING IS THE SOLE PROPERTY OF ERIC MORRIS & COMPANY. ANY REPRODUCTION IN PART OR AS A WHOLE WITHOUT THE WRITTEN PERMISSION OF ERIC MORRIS & COMPANY IS STRICTLY PROHIBITED.

TITLE:  
**60-2520 Cabinet Hinge**

**DO NOT SCALE DRAWING**

SCALE:1:1

SHEET 1 OF 1



Phone: +1-856-997-0222  
 Fax: +1-856-294-5116  
 Email: [info@ericmorrisandco.com](mailto:info@ericmorrisandco.com)  
 Web: <http://www.ericmorrisandco.com>  
 Address: ERIC MORRIS & COMPANY  
 7249-A Browning Road  
 Pennsauken, NJ 08109

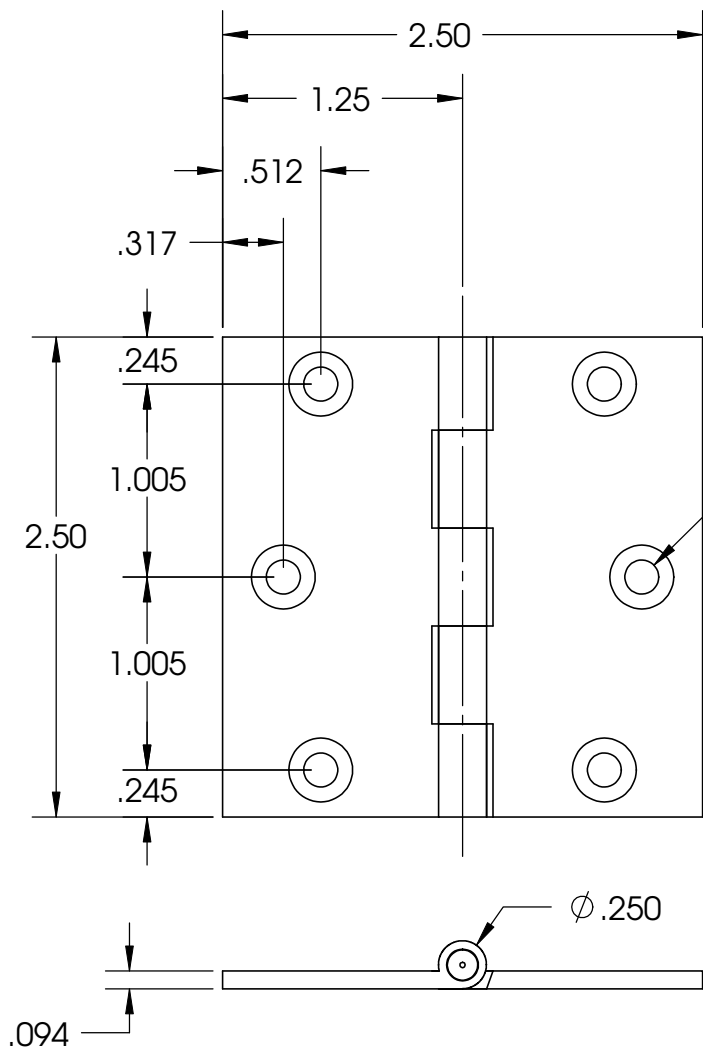
5

4

3

2

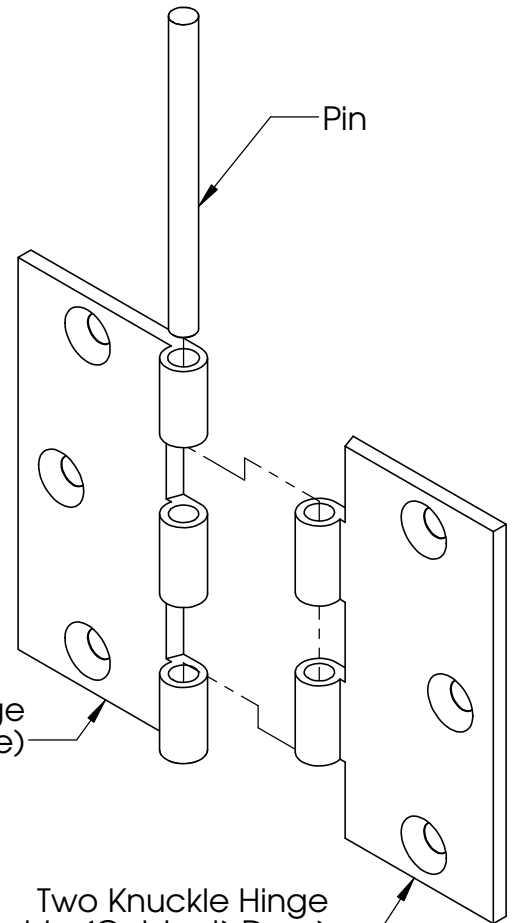
1



3X  $\phi .18$  THRU ALL  
 $\surd \phi .33 \times 82^\circ$

Three Knuckle Hinge  
 (Mount to Cabinet/Frame)

Two Knuckle Hinge  
 (Mount to (Cabinet) Door)



Note: Hinges supplied with Ball tip finials pre-installed. Other finials available at additional cost.

THE INFORMATION CONTAINED IN THIS DRAWING IS THE SOLE PROPERTY OF ERIC MORRIS & COMPANY. ANY REPRODUCTION IN PART OR AS A WHOLE WITHOUT THE WRITTEN PERMISSION OF ERIC MORRIS & COMPANY IS STRICTLY PROHIBITED.

TITLE:

**60-2525 Cabinet Hinge**

**DO NOT SCALE DRAWING**

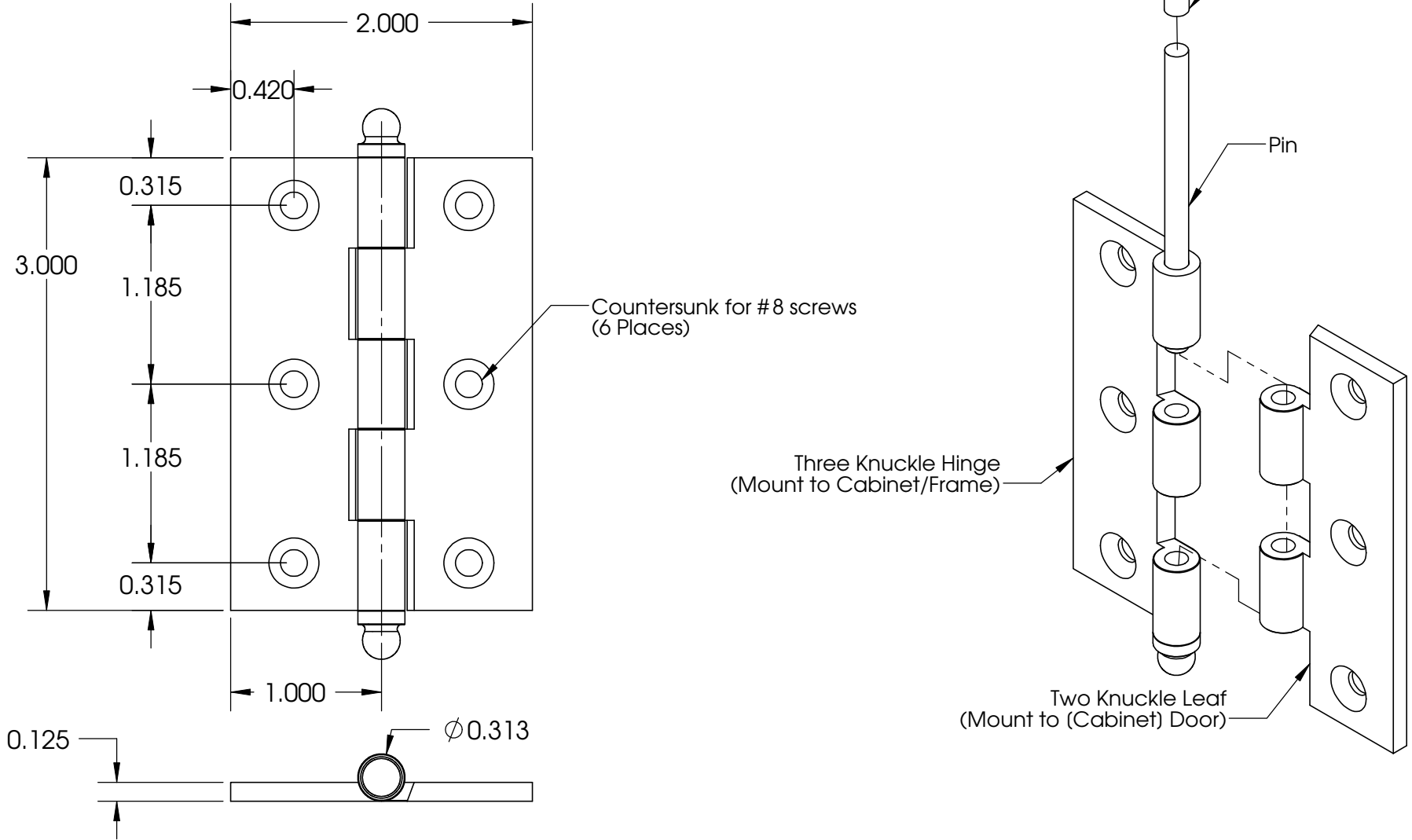
SCALE:1:1

SHEET 1 OF 1



Phone: +1-856-997-0222  
 Fax: +1-856-294-5116  
 Email: [info@ericmorrisandco.com](mailto:info@ericmorrisandco.com)  
 Web: <http://www.ericmorrisandco.com>  
 Address: ERIC MORRIS & COMPANY  
 7249-A Browning Road  
 Pennsauken, NJ 08109

Note: Hinge supplied with Ball tip finials, pre-installed. Other finials available at additional cost.



THE INFORMATION CONTAINED IN THIS DRAWING IS THE SOLE PROPERTY OF ERIC MORRIS & COMPANY. ANY REPRODUCTION IN PART OR AS A WHOLE WITHOUT THE WRITTEN PERMISSION OF ERIC MORRIS & COMPANY IS STRICTLY PROHIBITED.

TITLE:  
**60-3020 Cabinet Hinge**

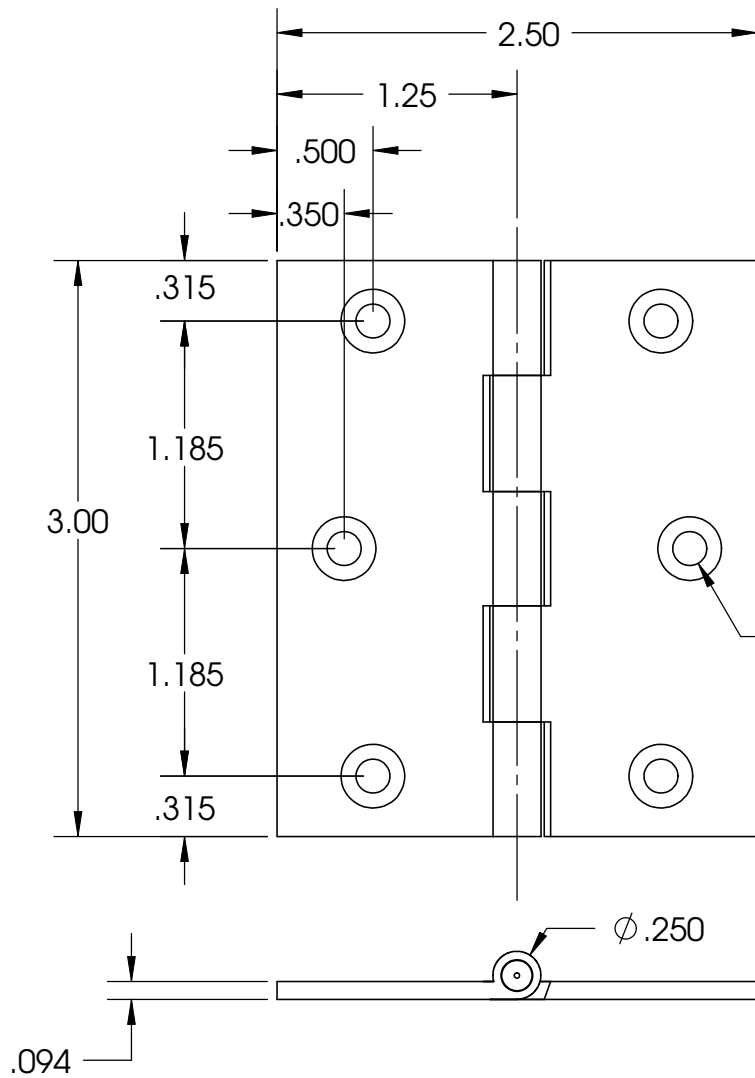
**DO NOT SCALE DRAWING**

SCALE:1:1

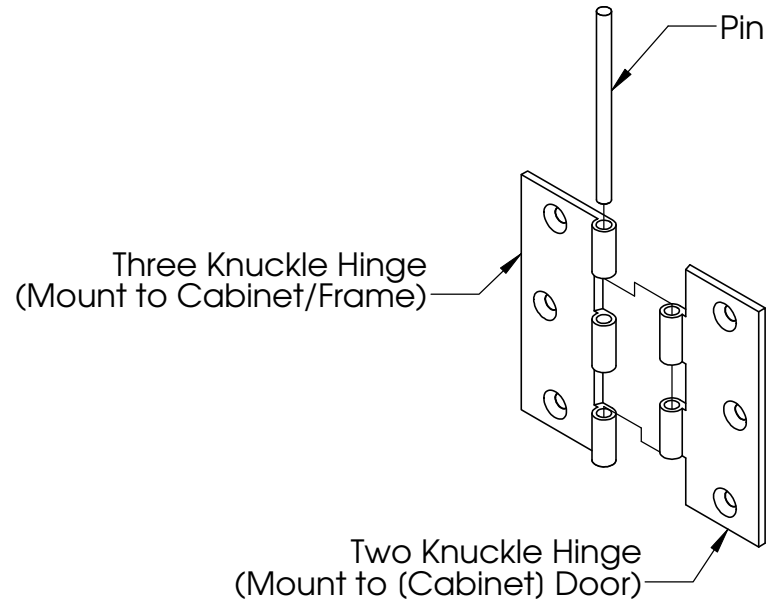
SHEET 1 OF 1



Phone: +1-856-997-0222  
 Fax: +1-856-294-5116  
 Email: [info@ericmorrisandco.com](mailto:info@ericmorrisandco.com)  
 Web: <http://www.ericmorrisandco.com>  
 Address: ERIC MORRIS & COMPANY  
 7249-A Browning Road  
 Pennsauken, NJ 08109



3X  $\phi$  .18 THRU ALL  
 $\checkmark$   $\phi$  .33 X 82°



Note: Hinges supplied with Ball tip finials pre-installed. Other finials available at additional cost.

THE INFORMATION CONTAINED IN THIS DRAWING IS THE SOLE PROPERTY OF ERIC MORRIS & COMPANY. ANY REPRODUCTION IN PART OR AS A WHOLE WITHOUT THE WRITTEN PERMISSION OF ERIC MORRIS & COMPANY IS STRICTLY PROHIBITED.

TITLE:

**60-3025 Cabinet Hinge**

**DO NOT SCALE DRAWING**

SCALE:1:1

SHEET 1 OF 1



Phone: +1-856-997-0222  
 Fax: +1-856-294-5116  
 Email: [info@ericmorrisandco.com](mailto:info@ericmorrisandco.com)  
 Web: <http://www.ericmorrisandco.com>  
 Address: **ERIC MORRIS & COMPANY**  
 7249-A Browning Road  
 Pennsauken, NJ 08109