

NOTE: Hinge is symmetrical about the center line(s)

\*NOTE 2: REF dimension across finials, hinge shown with standard finials, additional finials available at additional cost.

\*\*NOTE 3: Hinge uses non-standard template hole pattern.

THE INFORMATION CONTAINED IN THIS DRAWING IS THE SOLE PROPERTY OF ERIC MORRIS & COMPANY. ANY REPRODUCTION IN PART OR AS A WHOLE WITHOUT THE WRITTEN PERMISSION OF ERIC MORRIS & COMPANY IS STRICTLY PROHIBITED.

TITLE:

**11-3025 Hinge Template**

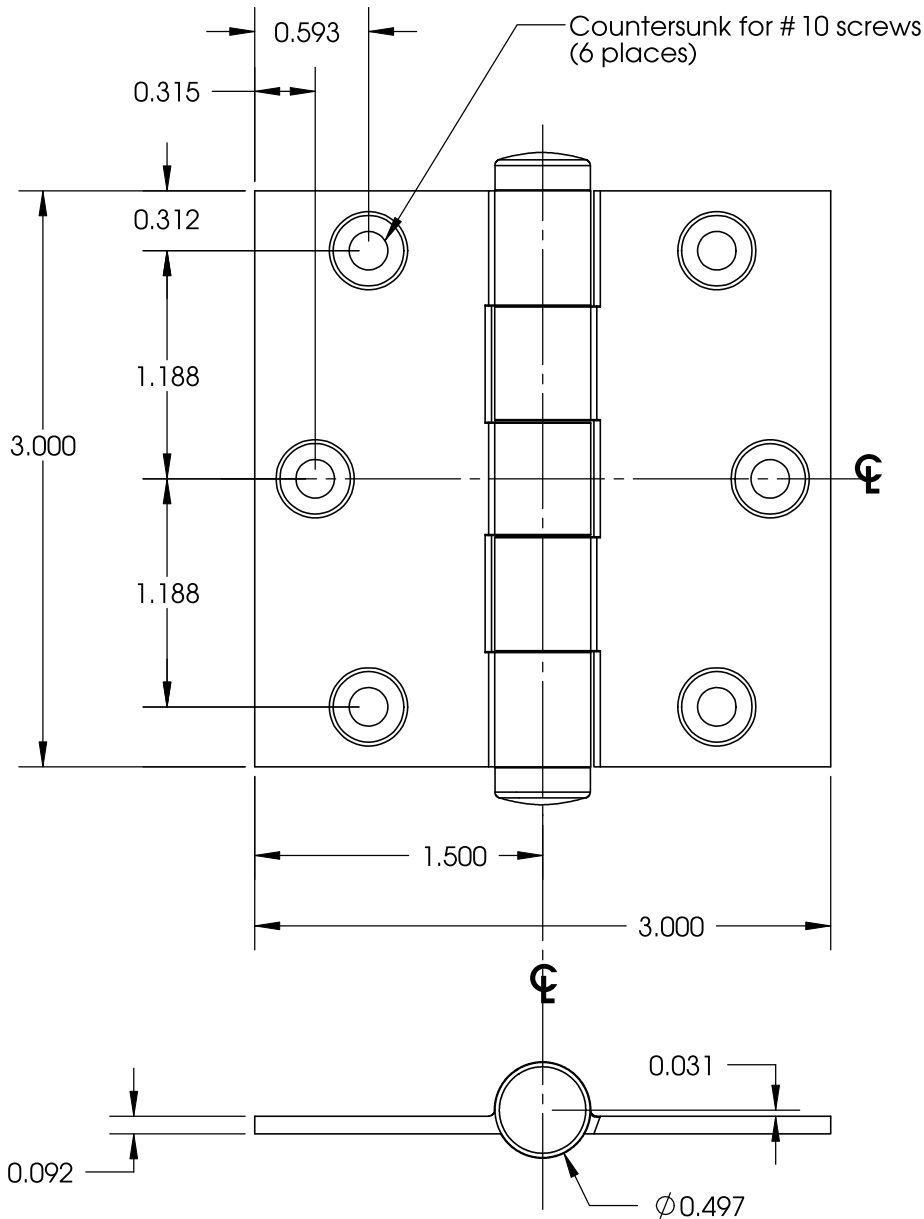
DO NOT SCALE DRAWING

SCALE:1:1

SHEET 1 OF 1



Phone: +1-856-997-0222  
 Fax: +1-856-294-5116  
 Email: [info@ericmorrisandco.com](mailto:info@ericmorrisandco.com)  
 Web: <http://www.ericmorrisandco.com>  
 Address: ERIC MORRIS & COMPANY  
 7249-A Browning Road  
 Pennsauken, NJ 08109



NOTE: Hinge is symmetrical about the center line(s)

\*NOTE 2: REF dimension across finials, hinge shown with standard finials, additional finials available at additional cost.

\*\*NOTE 3: Hinge uses non-standard template hole pattern.

THE INFORMATION CONTAINED IN THIS DRAWING IS THE SOLE PROPERTY OF ERIC MORRIS & COMPANY. ANY REPRODUCTION IN PART OR AS A WHOLE WITHOUT THE WRITTEN PERMISSION OF ERIC MORRIS & COMPANY IS STRICTLY PROHIBITED.

TITLE:

**11-3030 Hinge Template**

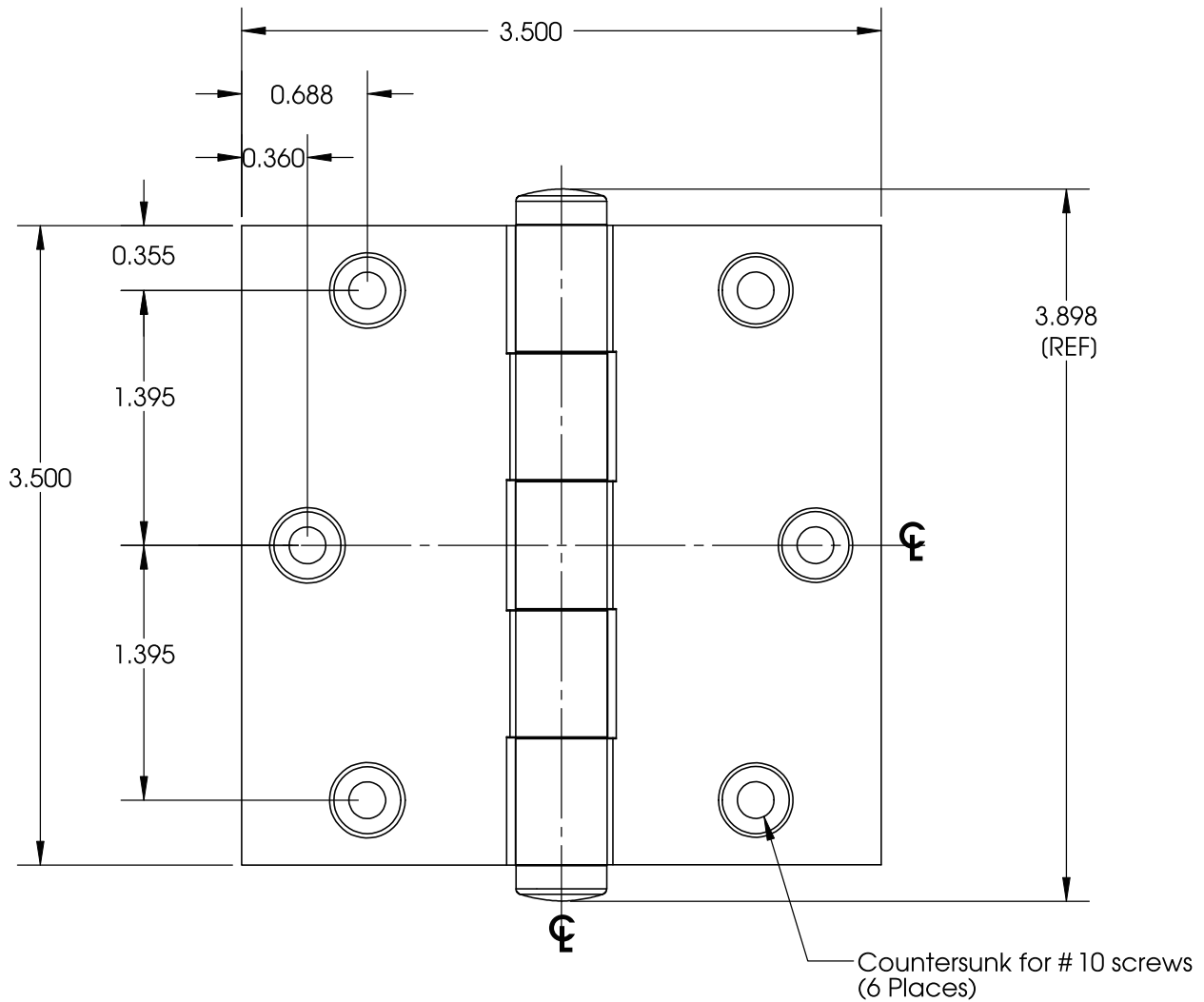
DO NOT SCALE DRAWING

SCALE:1:1

SHEET 1 OF 1



Phone: +1-856-997-0222  
 Fax: +1-856-294-5116  
 Email: [info@ericmorrisandco.com](mailto:info@ericmorrisandco.com)  
 Web: <http://www.ericmorrisandco.com>  
 Address: ERIC MORRIS & COMPANY  
 7249-A Browning Road  
 Pennsauken, NJ 08109



NOTE: Hinge is symmetrical about the center line(s)

\*NOTE 2: REF dimension across finials, hinge shown with standard finials, additional finials available at additional cost.

THE INFORMATION CONTAINED IN THIS DRAWING IS THE SOLE PROPERTY OF ERIC MORRIS & COMPANY. ANY REPRODUCTION IN PART OR AS A WHOLE WITHOUT THE WRITTEN PERMISSION OF ERIC MORRIS & COMPANY IS STRICTLY PROHIBITED.

TITLE:

**11-3535 Hinge Template**

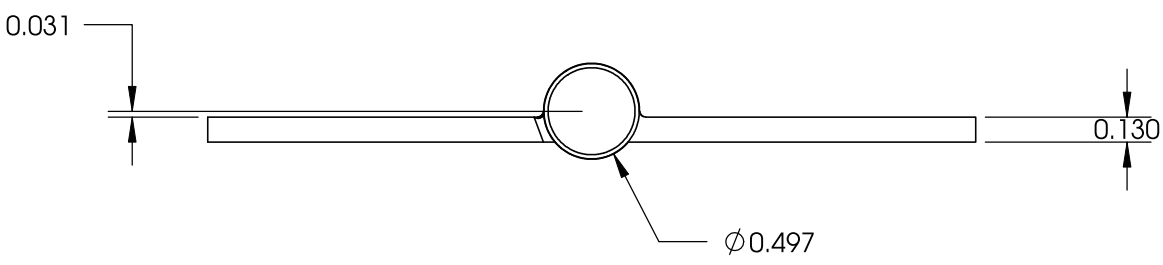
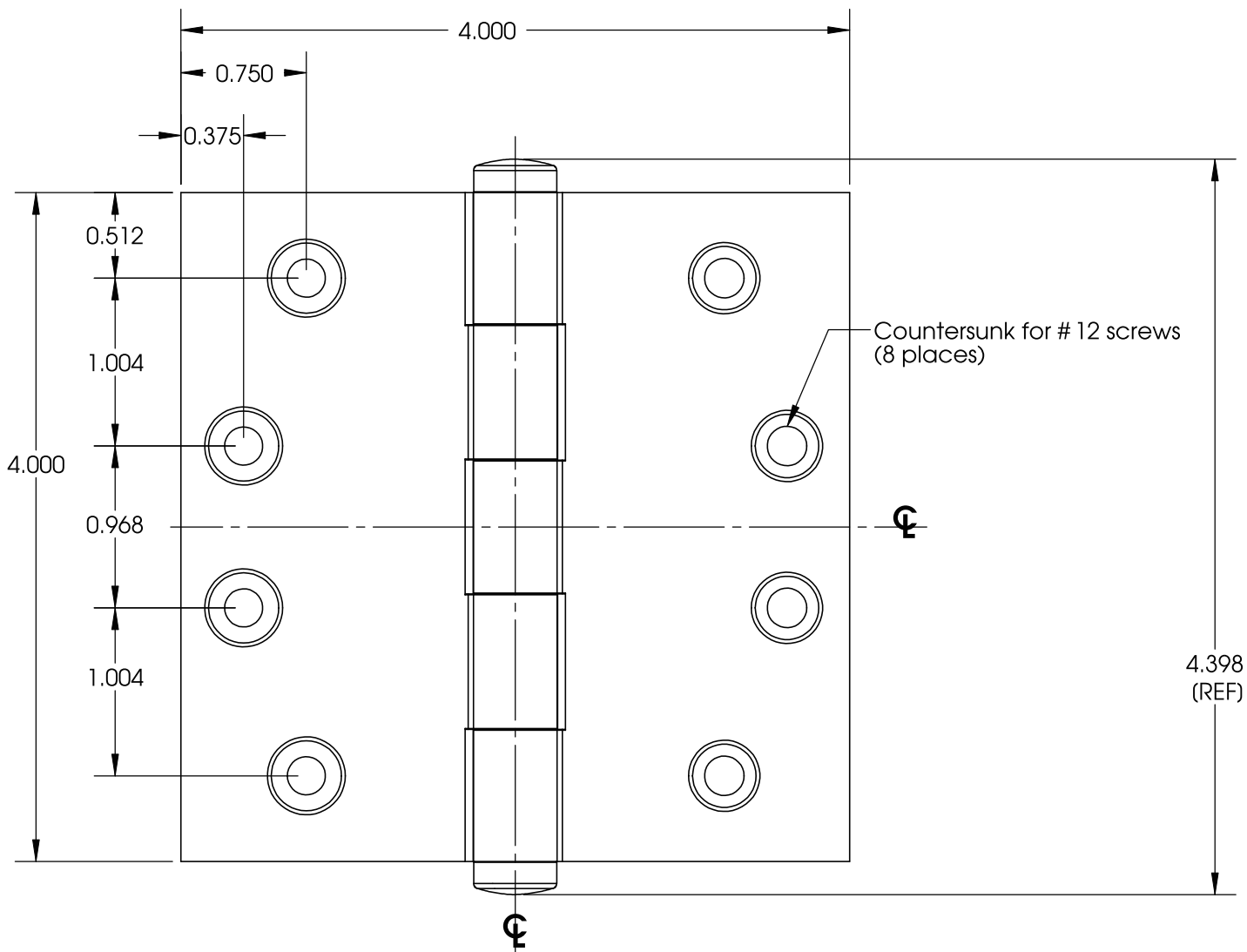
DO NOT SCALE DRAWING

SCALE:1:1

SHEET 1 OF 1



Phone: +1-856-997-0222  
 Fax: +1-856-294-5116  
 Email: [info@ericmorrisandco.com](mailto:info@ericmorrisandco.com)  
 Web: <http://www.ericmorrisandco.com>  
 Address: ERIC MORRIS & COMPANY  
 7249-A Browning Road  
 Pennsauken, NJ 08109

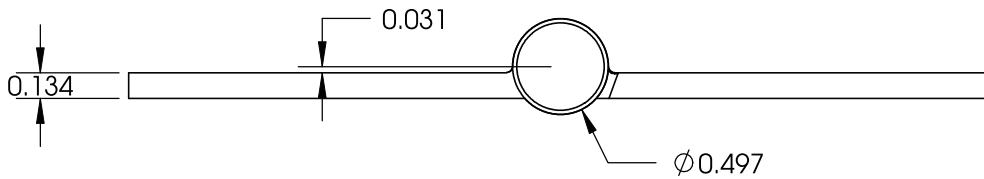
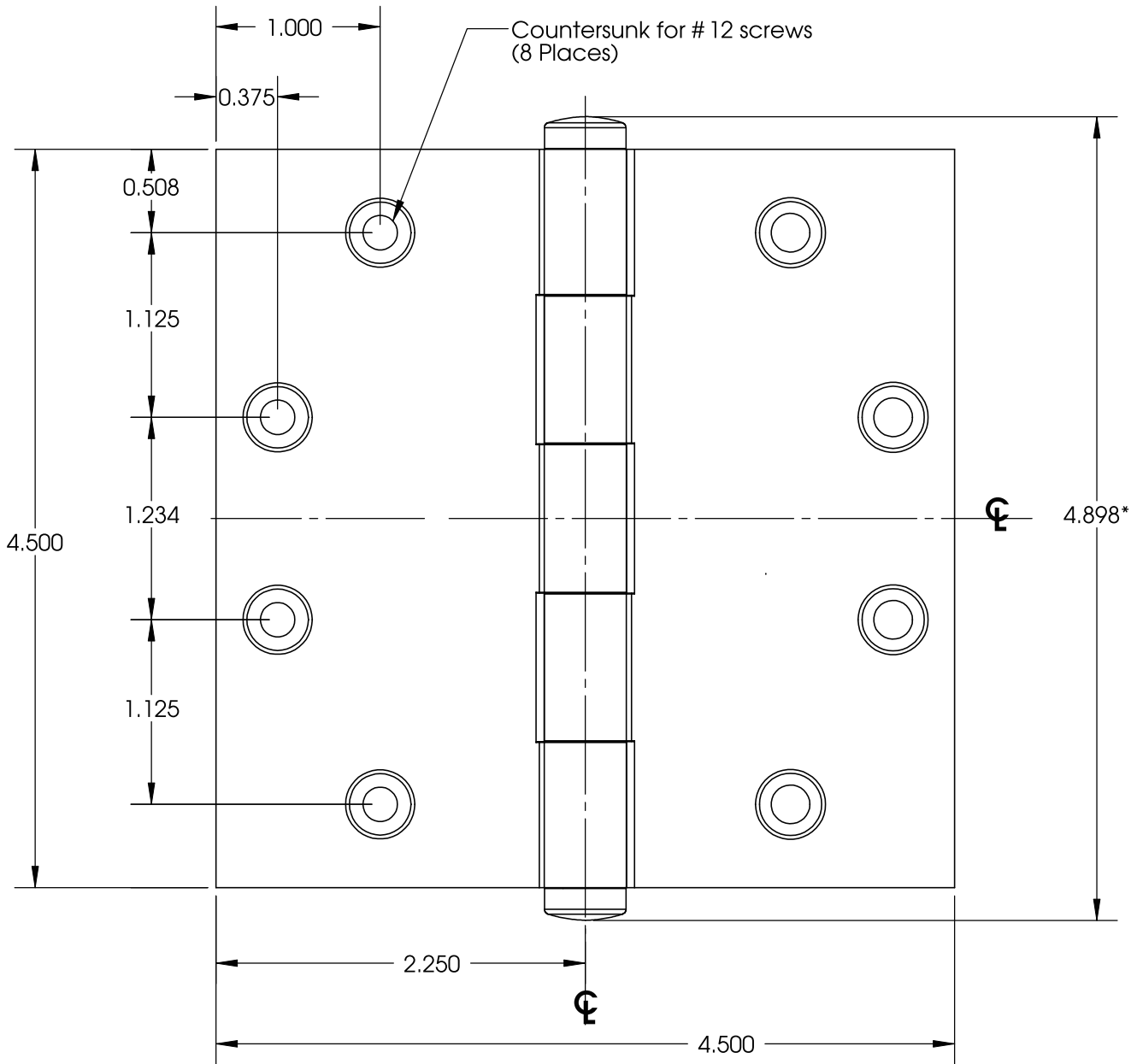


NOTE: Hinge is symmetrical about the center line(s)

\*NOTE 2: REF dimension across finials, hinge shown with standard finials, additional finials available at additional cost.

<p>THE INFORMATION CONTAINED IN THIS DRAWING IS THE SOLE PROPERTY OF ERIC MORRIS &amp; COMPANY. ANY REPRODUCTION IN PART OR AS A WHOLE WITHOUT THE WRITTEN PERMISSION OF ERIC MORRIS &amp; COMPANY IS STRICTLY PROHIBITED.</p>	<p>TITLE: <b>11-4040 Hinge Template</b></p>	<p>Phone: +1-856-997-0222          Fax: +1-856-294-5116          Email: <a href="mailto:info@ericmorrisandco.com">info@ericmorrisandco.com</a>          Web: <a href="http://www.ericmorrisandco.com">http://www.ericmorrisandco.com</a>          Address: ERIC MORRIS &amp; COMPANY          7249-A Browning Road          Pennsauken, NJ 08109</p>	
	<p><b>DO NOT SCALE DRAWING</b></p>		
	<p>SCALE:1:1</p>		<p>SHEET 1 OF 1</p>





NOTE: Hinge is symmetrical about the center line(s)

\*NOTE 2: REF dimension across finials, hinge shown with standard finials, additional finials available at additional cost.

THE INFORMATION CONTAINED IN THIS DRAWING IS THE SOLE PROPERTY OF ERIC MORRIS & COMPANY. ANY REPRODUCTION IN PART OR AS A WHOLE WITHOUT THE WRITTEN PERMISSION OF ERIC MORRIS & COMPANY IS STRICTLY PROHIBITED.

TITLE:

**11-4545 Hinge Template**

DO NOT SCALE DRAWING

SCALE:1:1

SHEET 1 OF 1



Phone: +1-856-997-0222  
 Fax: +1-856-294-5116  
 Email: [info@ericmorrisandco.com](mailto:info@ericmorrisandco.com)  
 Web: <http://www.ericmorrisandco.com>  
 Address: ERIC MORRIS & COMPANY  
 7249-A Browning Road  
 Pennsauken, NJ 08109